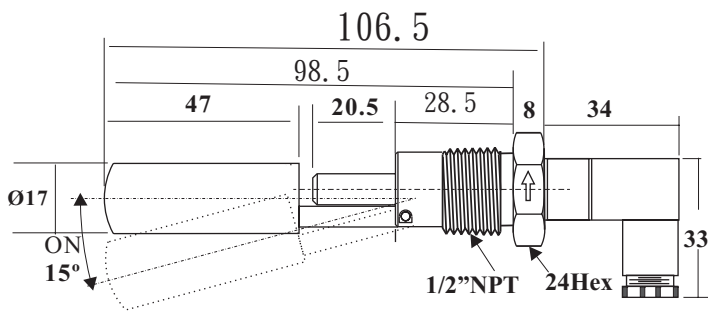




# 1/2" NPT Plug External Mounting



**LKS-3312**



**Technical Data:**

**Specifications**

|                               |                                     |
|-------------------------------|-------------------------------------|
| Model                         | <b>LKS-3312</b>                     |
| Operating Pressure            | 10 bar                              |
| Stem Material                 | SUS 304                             |
| Float Material                | SUS 316L                            |
| Float Specific Gravity(S. G.) | 0.7                                 |
| Operating Temperature         | <b>-40~120°C</b>                    |
| Mounting                      | 1/2" NPT                            |
| <b>Electrical Data:</b>       |                                     |
| Maximum Switching Voltage     | 300Vac or 350Vdc                    |
| Maximum Switching Current     | 0.5Aac or 0.7Adc                    |
| Maximum Carry Current         | 2.5A                                |
| Contact Rating                | <b>50W</b>                          |
| Switch Mode                   | N.O. /N.C. On Dry Condition         |
| Electrical Termination        | 9.4mm Industry Standard C Connector |