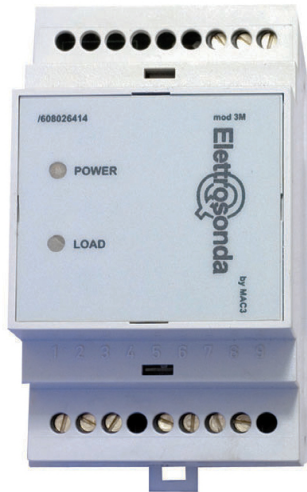


Elettrosonda Q Level controllers



Models NS (best for waters)

In the case of wells with a diameter max of 100 mm the NS model probes should be positioned in such a way that there is not more than 2.0 m between the lowest and the highest (sufficient to protect the pump). For wells with a larger diameter, the probes can be set at a greater distance, there are no limits for tanks. To conclude, liquids with a total resistance of 5,6 Kohm max can be well controlled. The control box can be placed at a distance of up to 1.0 m, from the probes.

Models AS [low conductivity]

For the control of liquids with low conductivity e.g., rainwater, the AS type is particularly suitable. These models permit liquids with a very high total resistance up to 70 Kohm, to be controlled.

Benefits:

- Easy to install and the experience of Mac3 ensures ideal operation for use in water systems.
- Good for the conditions of high humidity with wells and tanks
- Used for emptying and filling function

Power supply	: 24 – 117 – 230 – 380-415 V~ 50 ~60 Hz
Inter electrode voltages	: 10 V~
Consumption	: Max 3 VA
Operating resistance	: 0~100KΩ
Mounting	: on DIN rail
Contact rating	: 5A 250V AC1 resistive load / DC inductive load 5A to 30V
Dielectric strength	: 2000 V
Operating temperature	: – 10°C ~ 50 °C
Storage temperature	: – 20°C ~80 °C
Housing box	: Noryl (PPO) UL 94 V0



Models SR

[adjustable sensitivity]

For the control of conductive liquids with unknown conductivity this model is essential which controls up to 100 Kohm.

Single-voltage models

Q NS with 3 probes

12/24V ~	Code EQ3SF01000
117 V ~	Code EQ3SB01000
230V ~	Code EQ3SC01003
380V ~	Code EQ3SD01000
415V ~	Code EQ3SE01000

Q AS with 3 probes

12/24V ~	Code EQ3SFH1000
117 V ~	Code EQ3SBH1000
230V ~	Code EQ3SCH1003
380V ~	Code EQ3SDH1000
415V ~	Code EQ3SEH1000

Q SR with 3 probes

12/24V ~	Code EQ3SFR1000
117 V ~	Code EQ3SBR1000
230V ~	Code EQ3SCR1003
380V ~	Code EQ3SDR1000
415V ~	Code EQ3SER1000

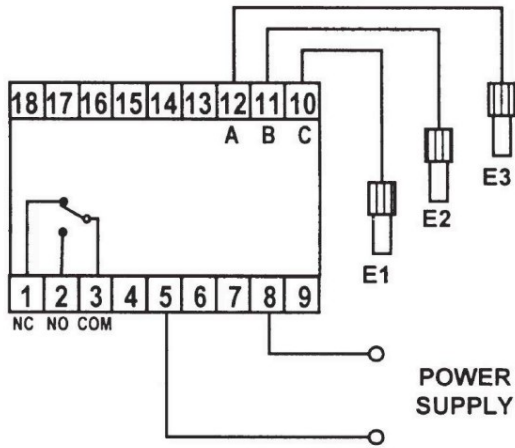
Stock items

FT-ELC00CR0003	: Manufacturer code	: EQ3SFR1000	: 12/24VDC 3 Electrode (Q / SR)
FT-ELQ220R0003	: Manufacturer code	: EQ3SCR1003	: 240VAC 3 probes adjustable

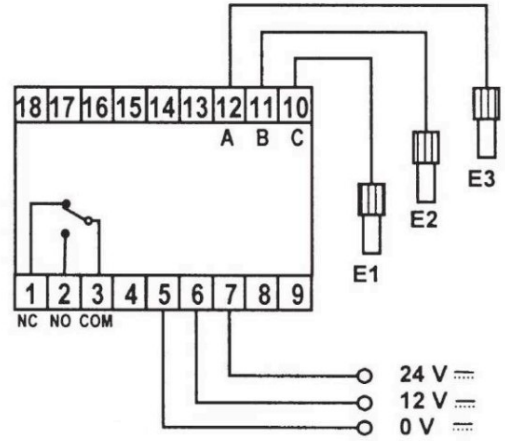
FT-ELTSOND00	: Manufacturer code	: TSOND0000	: Electrode Holder Single electrode
FT-ELTP0000	: Manufacturer code	: TP00000	: Electrode Holder 3-pin 65mm Hole
FT-ELMQ5P	: Manufacturer code	: M-Q-5P	: Electrode Holder 5-pin

Elettrosonda Q Level controllers

Connection diagram



SINGLE VOLTAGE 240VAC / 3 PROBES



12/24VDC SUPPLY VOLTAGE / 3 PROBES

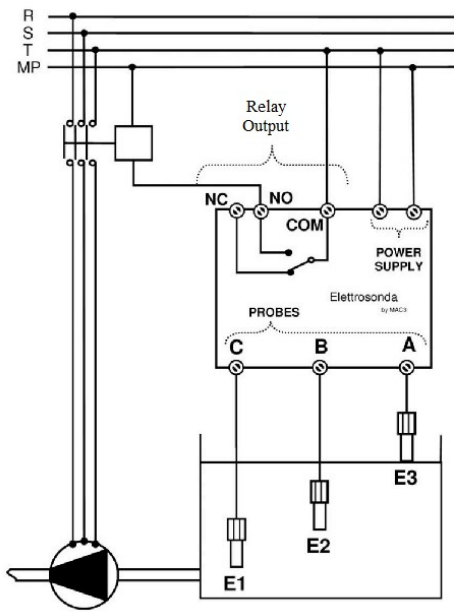


Fig. 1

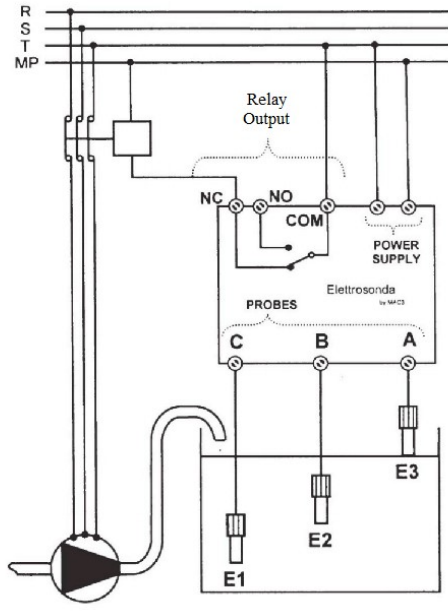


Fig. 2