



#### Main applications

- Chemical and pharmaceutical industries
- Extrusion lines in the plastics industry
- Paper industry
- Cement works
- Food industry plant
- Marble industry plant
- Industrial machinery in general

#### Main features

- Up to 8 displayed points with manual or automatic scanning
- Thermocouple, resistance thermometer, DC V/I, AC V/I, potentiometer inputs
- Heterogeneous inputs
- Up to 10 freely configurable alarm points
- Optoisolated 4-wires digital communication. Protocol: GEF 2308 CENCAL or MODBUS

#### GENERAL

The 2308 is a universal panel instrument for displaying up to 8 different variables with configurable alarm or switch points. Its characteristics of configurability, as well as speed of acquisition and response, mean that it is an extremely versatile instrument that may be used for the display of physical phenomena with alarm switching in a diversity of industrial applications.

The instrument can accept temperature signals from isolated thermocouples, even of different types, and from 2 or 3-wires resistance thermometers, as well as from linear signals in dc voltage or current (e.g. potentiometers, amplified pressure probes, transmitters, etc.).

The selection of the input type for each channel is made by hardware configuration, while the scale range (for linear inputs) may be configured from the front panel keys (software).

The instrument may be also be configured for 8 ac voltage inputs.

Shunts and dividers are available to condition the various ac voltage and current signal.

Alarm output are available with a minimum of 2 to a maximum of 10 using the MD81 external expansion unit.

The alarms themselves have multiple functions and allow ample freedom of choice.

In particular, AL1 and AL2 can be attributed to one of any of the 8 channels, or to indicate the state of the alarm condition of the input group (selectable in the range 1...8).

The passive current loop or RS485 serial link is convertible to RS232 using the CLB94 adapter.

#### TECHNICAL DATA

##### INPUTS

Accuracy: 0,2% f.s.  $\pm 1$  digit for linear inputs; 0,5% f.s.  $\pm 1$  digit for TC, RTD, mVac inputs.

Sampling time 0,9sec.

Number of variables to display impostable

##### TC - Thermocouple

J (Fe-CuNi) 0...800°C / 32...1472°F

K (NiCr-Ni) 0...1300°C / 32...2372°F

S (Pt10Rh-Pt) 0...1600°C / 32...2912°F

R (Pt13Rh-Pt) 0...1600°C / 32...2912°F

T (Cu-CuNi) -100...400°C / -148...752°F

##### RTD 2-3-wires

Pt100 -99,9...99,9°C / -99,9...211,8°F

Pt100 -200...400°C / -328...752°F

##### DC - Linear

20mV, 50mV, 100mV, 10V,  $R_i \geq 1M\Omega$

0...20mA, 4...20mA;  $R_i = 5\Omega$

100mVac

External dividers are available for signals from 1 to 500Vac.  $R_i \geq 1M\Omega$  and external ammeter shunts for currents from 20mA to 5Aac  $R_{in} \leq 5\Omega$

Internal jumper selection

The 2308 can be configured for different inputs on the same instrument with the exception of the acmV inputs which must all be of the same kind.

## OUTPUTS

### Relay

With rating: 5A/250Vac at  $\cos\phi = 1$   
(3,5A at  $\cos\phi = 0,4$ ).

Spark suppression on the contacts.

### Logic

23Vdc,  $R_{out} = 470\Omega$  (20mA, max. 12V).

### SERIAL LINE

Optoisolated 4-wires.

The instrument is available with interface

Passive current loop 1200 baud.

RS422/485 1200/2400/4800/9600 baud.

(convertible into RS232C using a CLB94 adapter).

Protocol:

GEFRAN CENCAL or MODBUS

### POWER SUPPLY

100...240Vac  $\pm 10\%$

11...27Vac/dc  $\pm 10\%$

50...60Hz; 10VA max.

### SENSOR/TRANSMITTER

#### SUPPLY

For supplying potentiometers, amplified probes, transmitters, signal conditioners.

10...15V 100mA max.

### AMBIENT CONDITION

**Working temperature range:** 0...50°C

**Storage temperature range:** -20...70°C

**Humidity:** 20...85%Ur non condensing

### ALARMS

Two alarm points that are configurable using the faceplate keys as "HI" or "LO" alarms.

- The alarm point may be set anywhere within the selected scale range.

- The hysteresis of the trip point may be adjusted from the faceplate keys.

- The response time is max. 1 sec. non-repetitive

- It is possible to configure a "LO" alarm such that it is automatically disabled during each start up until the input has exceeded the alarm setpoint.

The "LO" alarm will operate if the input subsequently falls below the entered trip point.

- 8 further absolute alarm points (one alarm per channel) can be added connecting an MD81 expansion unit.

The other characteristics are identical to the standard alarms.

### WEIGHT

500g

## FACEPLATE DESCRIPTION

**A** - Displays the variables of the 8 channels, red digits h. 14mm

**B** - Function key: manual scan of the channels

**C - D** - Raise and Lower keys

**E** - Automatic/Manual scan key

**F** - Configuration key

**G** - Calibration key

**H** - Alarm relay energised indication, red led

**I** - Indication of serial communication REM and EXP, red led

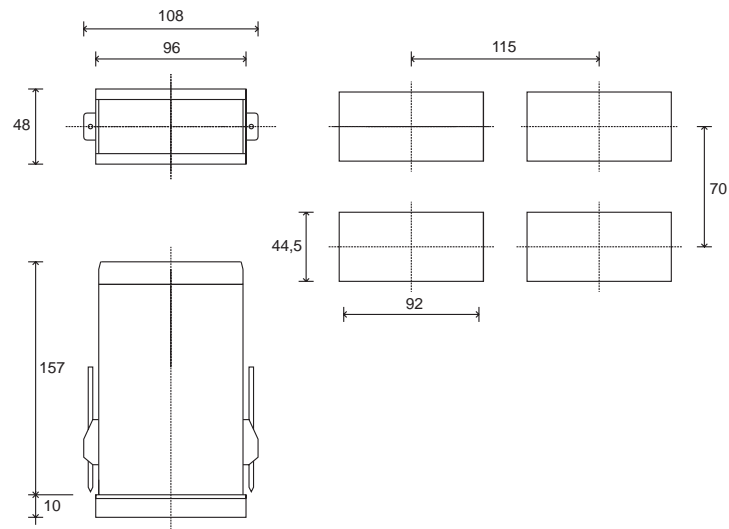
**L** - Indication of displayed channel, red digits h. 7mm

**M** - Label for engineering units.



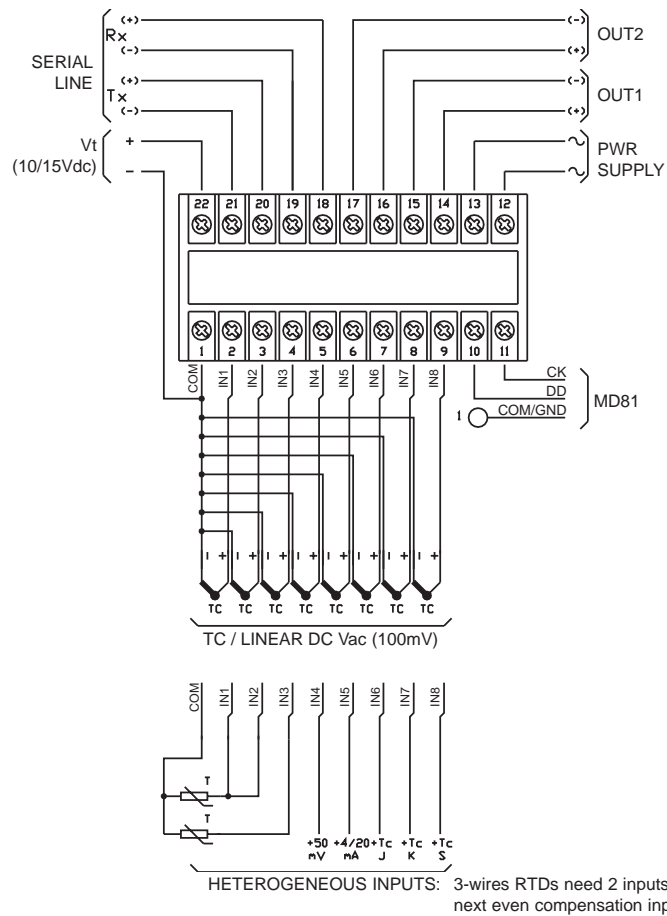
IP54 faceplate protection (IP65 available).

## DIMENSIONS AND CUT-OUT



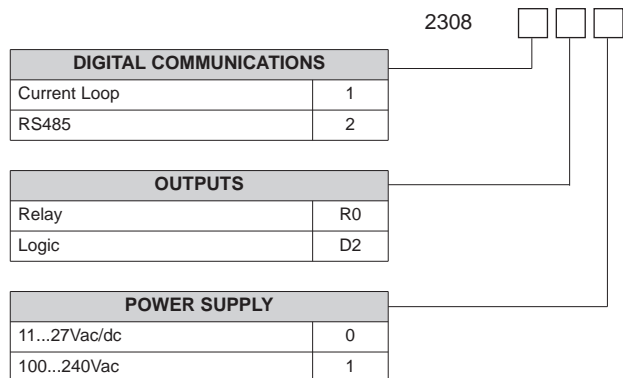
Dimensions: 96x48mm (1/8 DIN), depth 157mm.

## CONNECTION DIAGRAM



Apply user's manual warnings for a correct installation

## ORDER CODE



STANDARD CONFIGURATION Hardware and Software
CH1...CH8 - Thermocouple input J 0...800°C
Alarms - Setting 500 - Hysteresis -1 - Relay energised above alarm point - Relay contact NO
Supply output for external sensor 10VDC
Automatic scanning of the channels enabled
Configuration and settings enabled
Calibration disabled
Parallel connections for serial link

Please, contact GEFTRAN sales people for the codes availability.

GEFRAN spa reserves the right to make any kind of design or functional modification at any moment without prior notice



The instrument conforms to the European Directives 2004/108/CE and 2006/95/CE with reference to the generic standards: **EN 61000-6-2** (immunity in industrial environment) **EN 61000-6-3** (emission in residential environment) **EN 61010-1** (safety)