



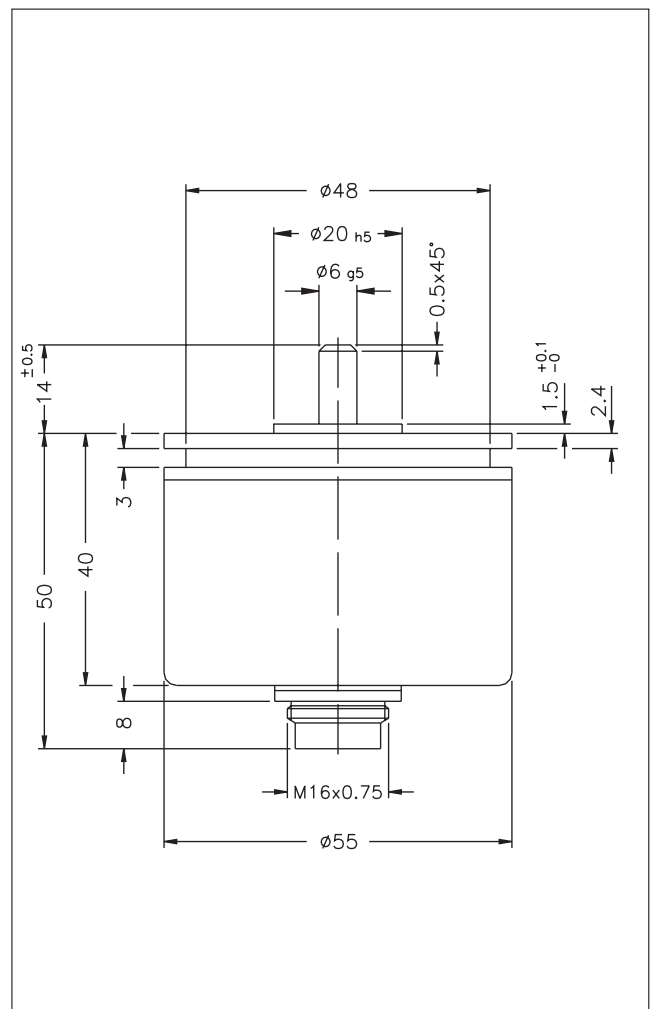
Main features

- Sealed industrial version
- Independent linearity up to $\pm 0,05\%$ (standard $\pm 0,5\%$)
- Working temperature: $-55...+100^{\circ}\text{C}$
- Repeatability $0,01\%$ della C.E.T.
- Life duration: $>100 \times 10^6$ operations at 10 r.p.s. (within C.E.U.)
- Infinite resolution
- Electrical connection: 5-pole connector DIN 43322
- Grade of protection IP65

TECHNICAL DATA

Model	PR65
Vibrations	5...2000Hz, $A_{max} = 0,75$ mm amax. = 20 g
Shock	50 g, 11ms.
Hysteresis (backlash)	$\leq 15''$ of arc
Intermediate pick-offs (TAPS)	on request (max. 2)
Tolerance on resistance total	$\pm 20\%$
Recommended cursor current	$< 0,1 \mu\text{A}$
Maximum cursor current	10mA
Electrical isolation	$>100\text{M}\Omega$ at 500V~, 1bar, 2s
Dielectric strength	$< 100 \mu\text{A}$ at 500V~, 50Hz, 2s, 1bar
Dissipation at 40°C (0W at 120°C)	see table
Temp. Coeff. of the resistance	$-200 \pm 200\text{ppm}/^{\circ}\text{C}$
Actual Temperature Coefficient of the output voltage	$< 1,5\text{ppm}/^{\circ}\text{C}$
Working temperature	$-55...+100^{\circ}\text{C}$
Storage temperature	$-55...+125^{\circ}\text{C}$
Case material	Nylon 66 GF 40
Shaft material	AISI 316
Bearings	High precision with double (ZZ) sealed screen in stainless steel
Flange	Anodised aluminium

MECHANICAL DIMENSIONS

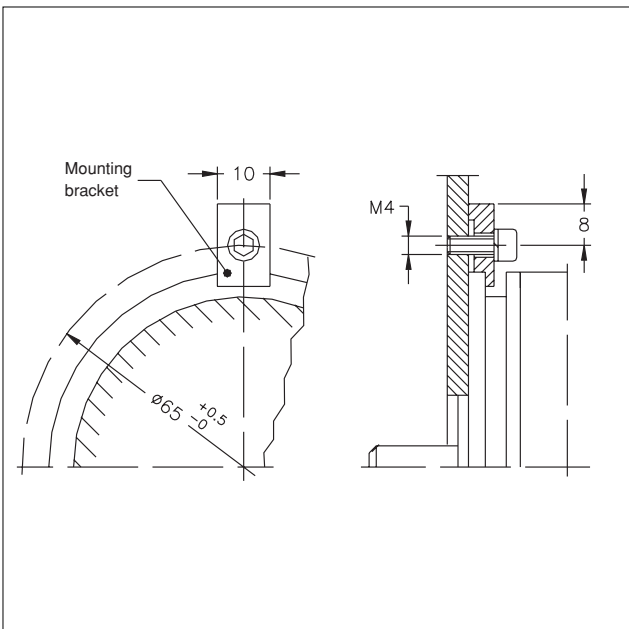


Important: all the data reported in the catalogue linearity, lifetime, temperature coefficient are valid for a sensor utilization as a ratiometric device with a max current across the cursor $I_c \leq 0.1 \mu\text{A}$.

MECHANICAL / ELECTRICAL DATA

MODEL		PR65
Theoretical electrical stroke (C.E.T.)	°	345 ± 4°
Useful electrical stroke (C.E.U.)	°	C.E.T. - 2°
Resistance (C.E.T.)	kΩ	1 - 4.7 - 10
Independent linearity (within C.E.U.)	±%	A = ± 1% B = ± 0,5% C = ± 0,25% D = ± 0,1% E = ± 0,05%
Dissipation at 40°C (0W at 120°C)	W	1.25
Mechanical rotation (C.M.)	°	360° continuous
Weight	g	132

MOUNTING DIAGRAM



OPTIONAL ACCESSORIES

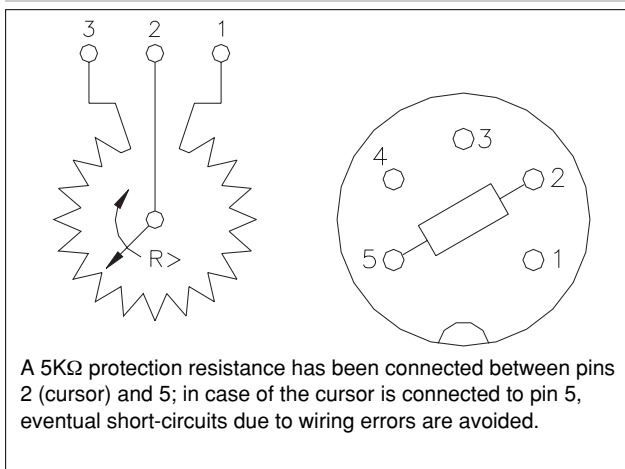
Fixing kit for PR65:
3 brackets, M4x10TCEI screws, grower

Code
PKIT008

CON011 - IP40 Prot. (5 pole Female conn.) **CON012 - IP67 Prot.** (5 pole Female conn.) **CON013 - IP40 Prot.** (5 pole Female conn.)

Extraction length of the connector 10mm.

ELECTRICAL CONNECTIONS



ORDER CODE

Rotative transducer **PR65**

Linearity (std. B)	A = ± 1% B = ± 0,5% C = ± 0,25% D = ± 0,1% E = ± 0,05%
TAPS (std. 0)	0
Resistance value (std.103)	1kΩ 102
	4,7kΩ 472
	10kΩ 103

If requested, it is possible to supply models with non-standard mechanical and/or electrical features

Example: PR65 - B - 0 - 103
Rotative transducer model PR65, linearity ±0,5%, no voltage or current intermediate pick-offs, 10kΩ resistance.

GEFRAN spa reserves the right to make any kind of design or functional modification at any moment without prior notice



GEFRAN spa
via Sebina, 74
25050 PROVAGLIO D'ISEO (BS) - ITALIA
tel. 0309888.1 - fax. 0309839063
Internet: <http://www.gefran.com>
www.gefranonline.com



cod. 84899-08/01