

FIELD MOUNTED EXPLOSION PROOF LOOP POWERED INDICATOR

8080PP

- 4~20MA INPUT, LOOP POWERED
- 4 DIGIT LCD DISPLAY IN ENGINEERING UNITS
- CHOICE OF ALUMINUM OR SS316 ENCLOSURE
- EXPLOSION PROOF CERTIFIED
- WALL OR PIPE MOUNTING
- 3 YEAR WARRANTY



Introduction

IME Model 8080PP Loop Powered Digital Indicators allow the process variable from any 4-20mA current source to be monitored. Since the unit derives its power from the loop, no additional power supply or wiring is needed. Because of its low voltage drop (5.5 Volts at 20mA), it can be incorporated into almost any 2 wire loop, where local indication of a process variable is needed, because the integral transmitter indicator is inaccessible to view or is at a different location

Description

IME Model 8080PP Indicators are designed for use in process industries where vibration, inclement weather and corrosive atmospheres prevail. The electronics are enclosed in a copper-free epoxy coated Aluminum housing and for more aggressive environments, a SS316 housing is optionally available. The housings meet the requirements of NEMA 4X and are also certified Explosion Proof by FM, CSA, ATEX & IECEx.


LCD Meter


The Model 8080PP has 4 digit display and may be configured to read -9999 to 9999 with a 4-20mA input signal. The decimal point location and engineering units can be adjusted using membrane switches, eliminating all potentiometric adjustments.

Mounting


A wide choice of stainless steel mounting brackets are available for mounting the Model 8080PP on either a 2" pipe or wall.

Certification System

	<p>CLASS I, DIV I GROUPS B, C AND D CLASS II, DIV I GROUPS E, F AND G NEMA 4X, T6</p>
---	---

	<p>CLASS I, DIV I GROUPS B, C AND D CLASS II, DIV I GROUPS E, F AND G NEMA 4X, T6</p>
---	---

	<p>ATEX II 2 G D Ex d IIC T6 Gb Ex tb IIIC 85°C Db IP68 Ta = -40°C to +60°C</p>
---	---

	<p>Ex d IIC T6 Gb Ex tb IIIC 85°C Db IP68 Ta = -40°C to +60°C</p>
---	---

Functional Specifications

Indication Accuracy

0.1% of calibrated range +/-1 digit

Calibration

Via membrane switches on the front panel

Display Height

12.5mm (1/2") high LCD, user selectable decimal point

Stability Over Time

0.1% of calibrated range +/-1 digit over 6 months

Over Range Indication

Indication of "1" on display

Response Time

Typically 75ms

Failure Mode

Failure will not affect the loop integrity

Voltage Drop

5.5V at 20mA

Operating Temperature

-20 to 70°C

Weight

0.9Kg (2LBS) for Aluminum Unit and 1.4Kg (3LBS) for SS316 Unit

Material of Construction

Enclosure epoxy coated Copper-Free Aluminum or SS316 as specified

O Rings

Buna N

Optional Accessories

Mounting Brackets (IME Model 175PM, 175RC, 175NR, 175MM)

FIELD MOUNTED EXPLOSION PROOF LOOP POWERED INDICATOR

8080PP

Both the Aluminum and the SS316 housing are certified NEMA 4X. As indicated below. IME model 8080PP can be optionally provided with certification and a stainless steel name plate for use in Hazardous Area applications.

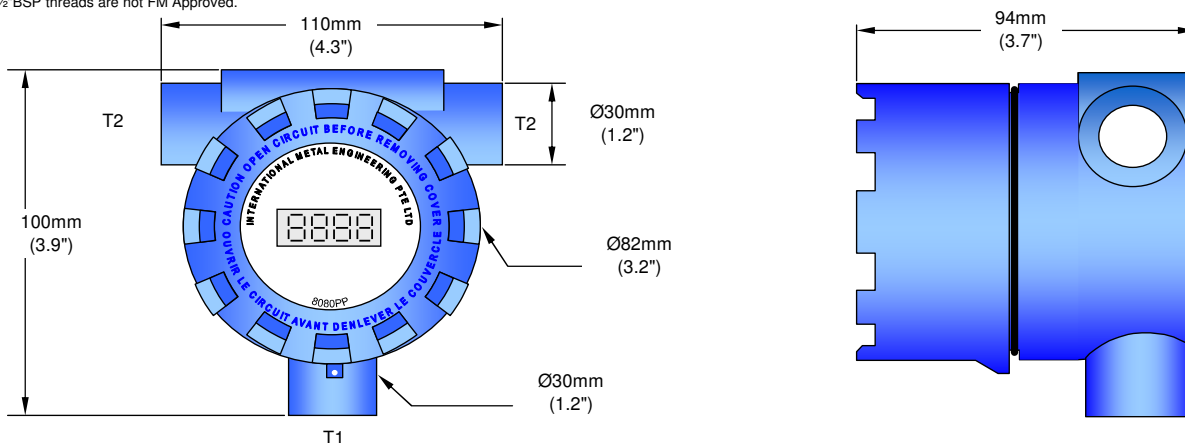
Ordering Information

Model	Description																																																			
8080PP	Field Mounted Loop Powered Process Indicator with 4 Digital LCD Display																																																			
	<table border="1"> <thead> <tr> <th>Code</th> <th>Options, Housing</th> </tr> </thead> <tbody> <tr> <td>A</td> <td>Die cast Aluminum, Epoxy Coated</td> </tr> <tr> <td>T</td> <td>SS316, Electro Polished</td> </tr> </tbody> </table>	Code	Options, Housing	A	Die cast Aluminum, Epoxy Coated	T	SS316, Electro Polished																																													
Code	Options, Housing																																																			
A	Die cast Aluminum, Epoxy Coated																																																			
T	SS316, Electro Polished																																																			
	<table border="1"> <thead> <tr> <th>Code</th> <th>Instrument Connection (T1)</th> <th>Conduit Size (T2)</th> </tr> </thead> <tbody> <tr><td>01</td><td>M16 x 2P (See note 1)</td><td>3/4" NPT</td></tr> <tr><td>02</td><td>M16 x 2P (See note 1)</td><td>1/2" NPT</td></tr> <tr><td>03</td><td>M16 x 2P (See note 1)</td><td>M20 x 1.5P (See note 2)</td></tr> <tr><td>04</td><td>1/2" NPT</td><td>3/4" NPT</td></tr> <tr><td>05</td><td>1/2" NPT</td><td>1/2" NPT</td></tr> <tr><td>06</td><td>1/2" NPT</td><td>M20 x 1.5P (See note 2)</td></tr> <tr><td>07</td><td>3/4" NPT</td><td>3/4" NPT</td></tr> <tr><td>08</td><td>3/4" NPT</td><td>1/2" NPT</td></tr> <tr><td>09</td><td>3/4" NPT</td><td>M20 x 1.5P (See note 2)</td></tr> <tr><td>10</td><td>1/2" BSP (See note 2)</td><td>3/4" NPT</td></tr> <tr><td>11</td><td>1/2" BSP (See note 2)</td><td>1/2" NPT</td></tr> <tr><td>12</td><td>1/2" BSP (See note 2)</td><td>M20 x 1.5P (See note 2)</td></tr> <tr><td>13</td><td>3/4" NPT</td><td>None</td></tr> <tr><td>14</td><td>M20 x 1.5P (See note 2)</td><td>None</td></tr> <tr><td>16</td><td>1/2" BSP (See note 2)</td><td>None</td></tr> <tr><td>17</td><td>1/2" NPT</td><td>None</td></tr> </tbody> </table>	Code	Instrument Connection (T1)	Conduit Size (T2)	01	M16 x 2P (See note 1)	3/4" NPT	02	M16 x 2P (See note 1)	1/2" NPT	03	M16 x 2P (See note 1)	M20 x 1.5P (See note 2)	04	1/2" NPT	3/4" NPT	05	1/2" NPT	1/2" NPT	06	1/2" NPT	M20 x 1.5P (See note 2)	07	3/4" NPT	3/4" NPT	08	3/4" NPT	1/2" NPT	09	3/4" NPT	M20 x 1.5P (See note 2)	10	1/2" BSP (See note 2)	3/4" NPT	11	1/2" BSP (See note 2)	1/2" NPT	12	1/2" BSP (See note 2)	M20 x 1.5P (See note 2)	13	3/4" NPT	None	14	M20 x 1.5P (See note 2)	None	16	1/2" BSP (See note 2)	None	17	1/2" NPT	None
Code	Instrument Connection (T1)	Conduit Size (T2)																																																		
01	M16 x 2P (See note 1)	3/4" NPT																																																		
02	M16 x 2P (See note 1)	1/2" NPT																																																		
03	M16 x 2P (See note 1)	M20 x 1.5P (See note 2)																																																		
04	1/2" NPT	3/4" NPT																																																		
05	1/2" NPT	1/2" NPT																																																		
06	1/2" NPT	M20 x 1.5P (See note 2)																																																		
07	3/4" NPT	3/4" NPT																																																		
08	3/4" NPT	1/2" NPT																																																		
09	3/4" NPT	M20 x 1.5P (See note 2)																																																		
10	1/2" BSP (See note 2)	3/4" NPT																																																		
11	1/2" BSP (See note 2)	1/2" NPT																																																		
12	1/2" BSP (See note 2)	M20 x 1.5P (See note 2)																																																		
13	3/4" NPT	None																																																		
14	M20 x 1.5P (See note 2)	None																																																		
16	1/2" BSP (See note 2)	None																																																		
17	1/2" NPT	None																																																		
	<table border="1"> <thead> <tr> <th>Code</th> <th>Certification</th> </tr> </thead> <tbody> <tr> <td>NN</td> <td>None</td> </tr> <tr> <td>E1</td> <td>FM, CSA, ATEX & IECEx Explosion Proof Certified, NEMA 4X, IP68</td> </tr> </tbody> </table>	Code	Certification	NN	None	E1	FM, CSA, ATEX & IECEx Explosion Proof Certified, NEMA 4X, IP68																																													
Code	Certification																																																			
NN	None																																																			
E1	FM, CSA, ATEX & IECEx Explosion Proof Certified, NEMA 4X, IP68																																																			
	<table border="1"> <thead> <tr> <th>Code</th> <th>Accessories</th> </tr> </thead> <tbody> <tr> <td>RC</td> <td>IME Model 175RC Mounting Bracket</td> </tr> <tr> <td>PM</td> <td>IME Model 175PM Mounting Bracket</td> </tr> <tr> <td>NR</td> <td>IME Model 175NR Mounting Bracket</td> </tr> <tr> <td>MM</td> <td>IME Model 175MM Mounting Bracket</td> </tr> </tbody> </table>	Code	Accessories	RC	IME Model 175RC Mounting Bracket	PM	IME Model 175PM Mounting Bracket	NR	IME Model 175NR Mounting Bracket	MM	IME Model 175MM Mounting Bracket																																									
Code	Accessories																																																			
RC	IME Model 175RC Mounting Bracket																																																			
PM	IME Model 175PM Mounting Bracket																																																			
NR	IME Model 175NR Mounting Bracket																																																			
MM	IME Model 175MM Mounting Bracket																																																			
	<table border="1"> <thead> <tr> <th>Code</th> <th>2 Inch "U" Bolt with Nuts and Washers</th> </tr> </thead> <tbody> <tr> <td>00</td> <td>None</td> </tr> <tr> <td>01</td> <td>IME Model 17508, 1 Set (For IME Model 175RC)</td> </tr> <tr> <td>02</td> <td>IME Model 17508, 2 Sets (For IME Model 175PM & 175NR)</td> </tr> </tbody> </table>	Code	2 Inch "U" Bolt with Nuts and Washers	00	None	01	IME Model 17508, 1 Set (For IME Model 175RC)	02	IME Model 17508, 2 Sets (For IME Model 175PM & 175NR)																																											
Code	2 Inch "U" Bolt with Nuts and Washers																																																			
00	None																																																			
01	IME Model 17508, 1 Set (For IME Model 175RC)																																																			
02	IME Model 17508, 2 Sets (For IME Model 175PM & 175NR)																																																			

8080PP	A	02	E1	PM	02	← Typical Model Number
--------	---	----	----	----	----	------------------------

Note:

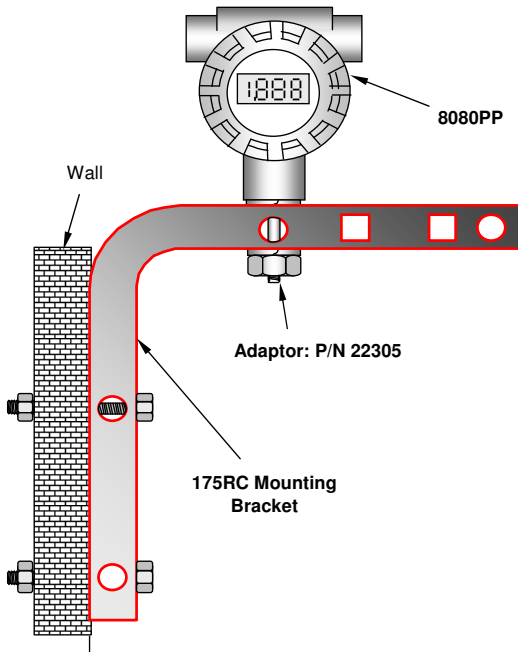
- 1 Ports with M16 x 2P thread are not through holes, they are for Mounting only.
- 2 1/2"BSP & M20 x 1.5P Threads are not Certified by CSA
- 3 1/2"BSP threads are not FM Approved.



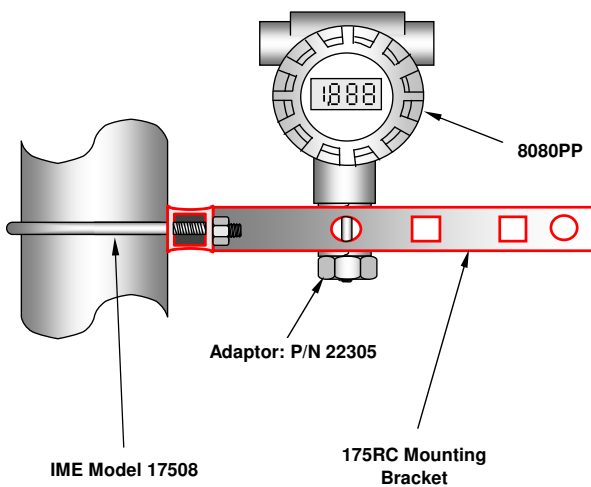
MODEL 175RC MOUNTING BRACKET

IME MODEL 175RC

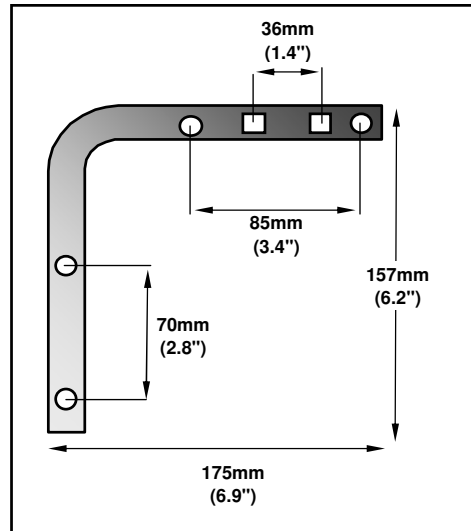
PANEL / WALL MOUNTING CONFIGURATION
 9 mm or 5/16 bolts for mounting bracket to wall or panel
 (Not Supplied)
 Adaptor P/N: 22305 (Optional)



2" PIPE MOUNTING CONFIGURATION
 2 Inch "U" Bolt with Nuts and Washers (Optional)
 Adaptor P/N: 22305 (Optional)



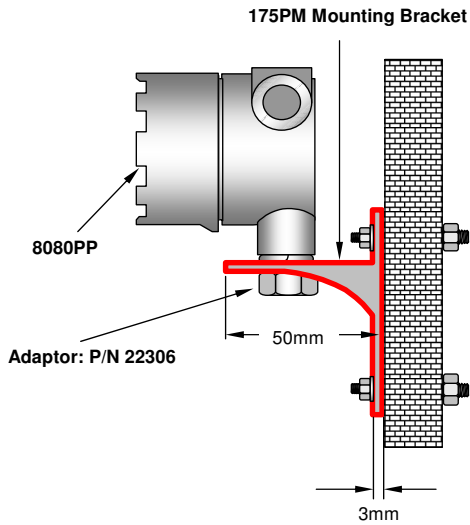
Dimensions



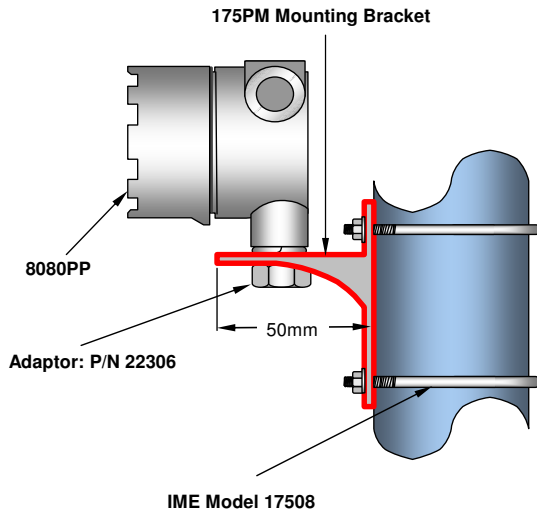
MODEL 175PM MOUNTING BRACKET

IME MODEL 175PM

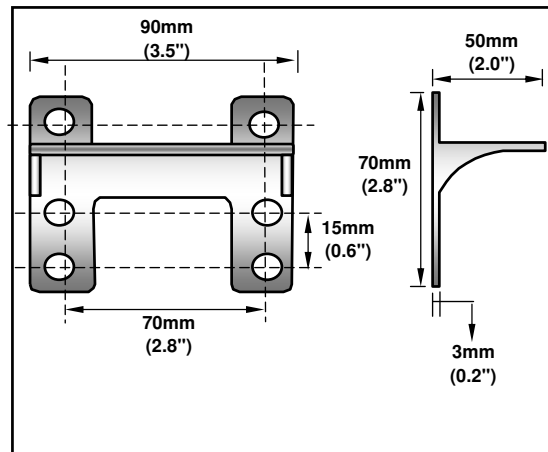
PANEL / WALL MOUNTING CONFIGURATION
 9 mm or 5/16 bolts for mounting bracket to wall or panel
 (Not Supplied)
 Adaptor P/N: 22306 (Optional)



2" PIPE MOUNTING CONFIGURATION
 2 Inch "U" Bolt with Nuts and Washers (Optional)
 Adaptor P/N: 22306 (Optional)



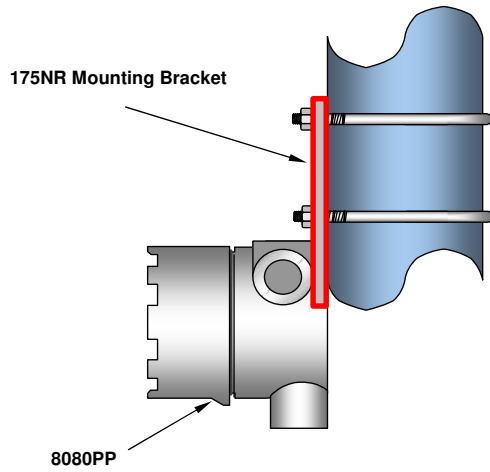
Dimensions



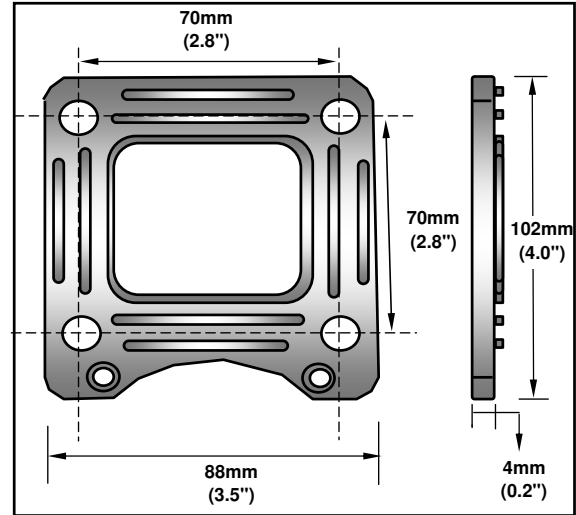
MODEL 175NR AND 175MM MOUNTING BRACKET

IME MODEL 175NR

2" PIPE MOUNTING CONFIGURATION
2 Inch "U" Bolt with Nuts and Washers

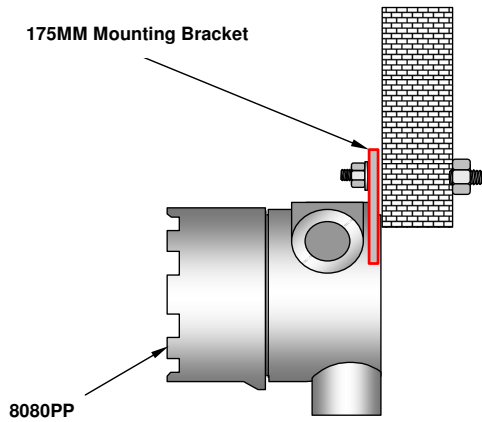


Dimensions



IME MODEL 175MM

PANEL / WALL MOUNTING CONFIGURATION
9 mm or 5/16 bolts for mounting bracket to wall or panel
(Not Supplied)



Dimensions

