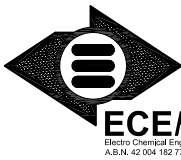


Date	0	Issued for customer approval

**STANDARD TOLERANCES:**  
 0 - 1000 ± 3  
 1000 - 4050 ± 5

**ALL DIMENSIONS IN mm UNLESS OTHERWISE SPECIFIED**

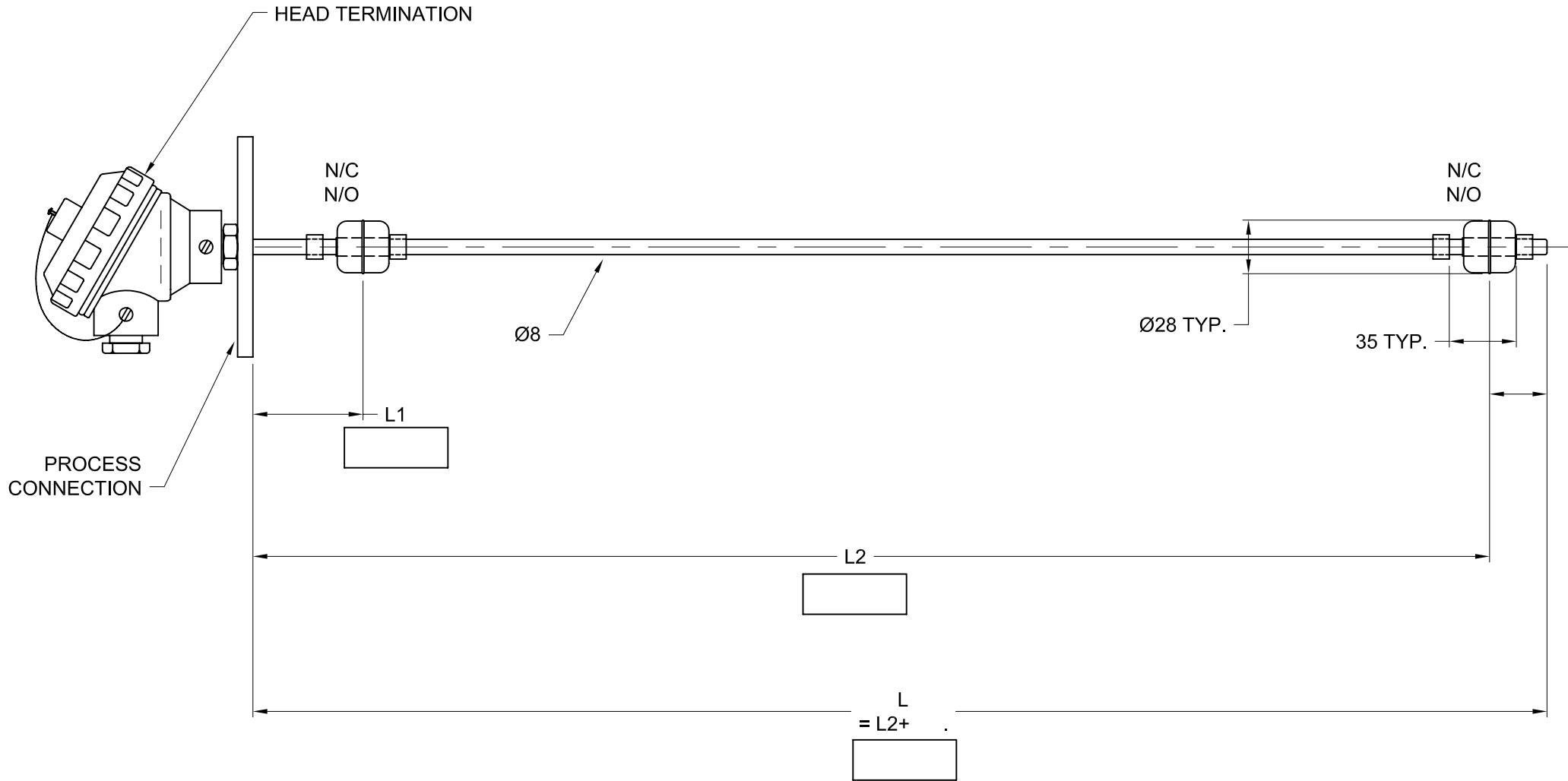
This drawing remains the property of ECEFast. It is subject to recall, and must not be reproduced in part, or in whole, or its contents passed to third parties without prior written consent.



1800 811 818 MELBOURNE  
 www.ecefast.com.au SYDNEY  
 BRISBANE  
 GLADSTONE (QLD)

0 800 ECE FAST  
 www.ecefast.co.nz AUCKLAND (NZ)

Customer		ECE Quote/Job No.	
Customer approval		ECE Dwg No.	
Drawn by	Date	Revision	Units: UNITS
			Scale: NTS

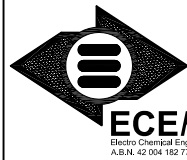


Date	0	Issued for customer approval

**STANDARD TOLERANCES:**  
 0 - 1000 ± 3  
 1000 - 4050 ± 5

**ALL DIMENSIONS IN mm UNLESS OTHERWISE SPECIFIED**

This drawing remains the property of ECEFast. It is subject to recall, and must not be reproduced in part, or in whole, or its contents passed to third parties without prior written consent.



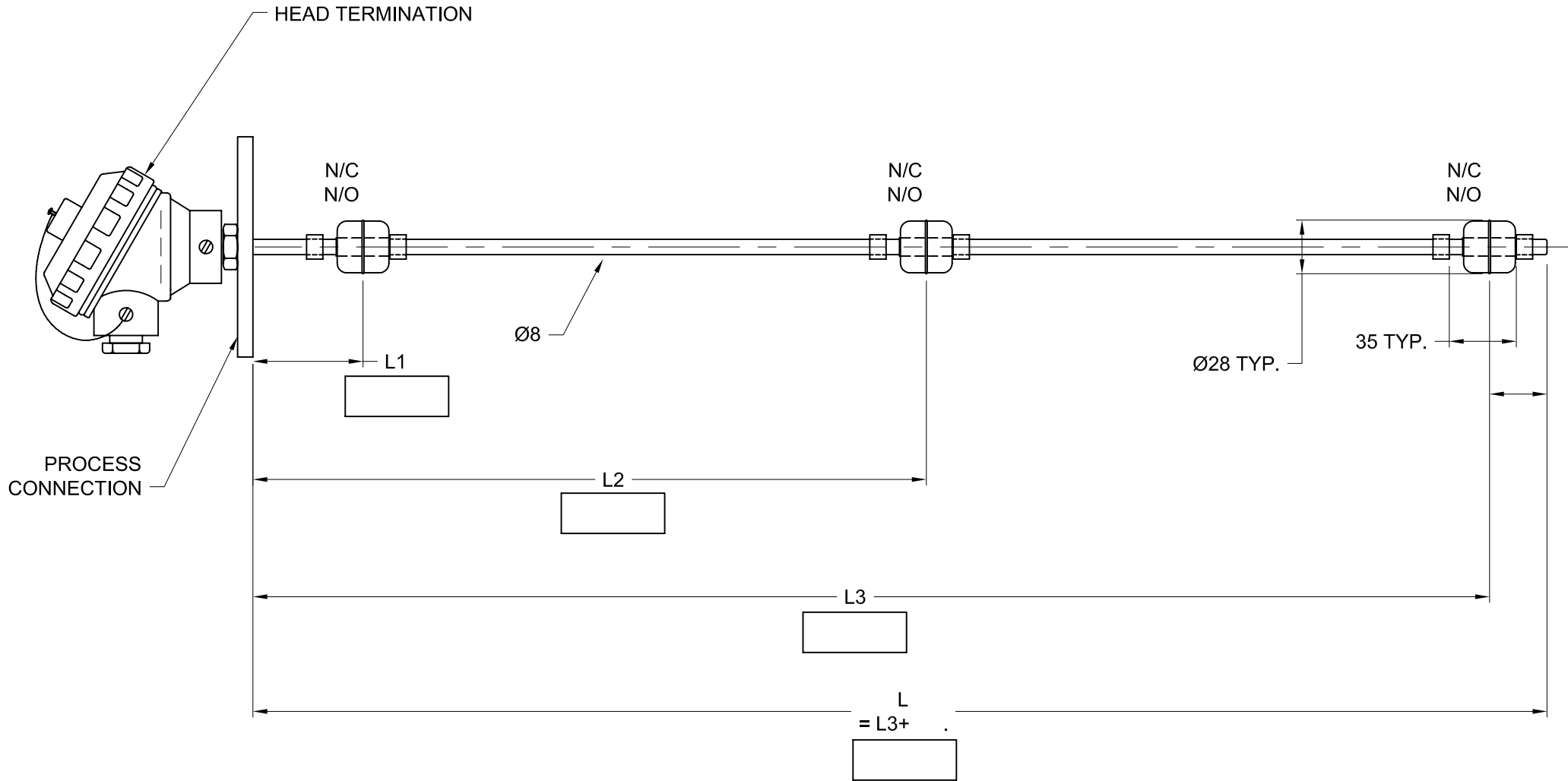
**ECEFast**  
 Electro Chemical Engineering Pty Ltd  
 A.B.N. 42 004 182 772

1800 811 818  
 www.ecefast.com.au

0 800 ECE FAST  
 www.ecefast.co.nz

MELBOURNE  
 SYDNEY  
 BRISBANE  
 GLADSTONE (QLD)  
 AUCKLAND (NZ)

Customer		ECE Quote/Job No.	
Customer approval		ECE Dwg No.	
Drawn by	Date	Revision	Units: UNITS
			Scale: NTS

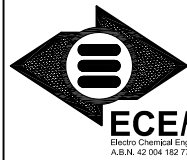


Date	0	Issued for customer approval

**STANDARD TOLERANCES:**  
 0 - 1000 ± 3  
 1000 - 4050 ± 5

**ALL DIMENSIONS IN mm UNLESS OTHERWISE SPECIFIED**

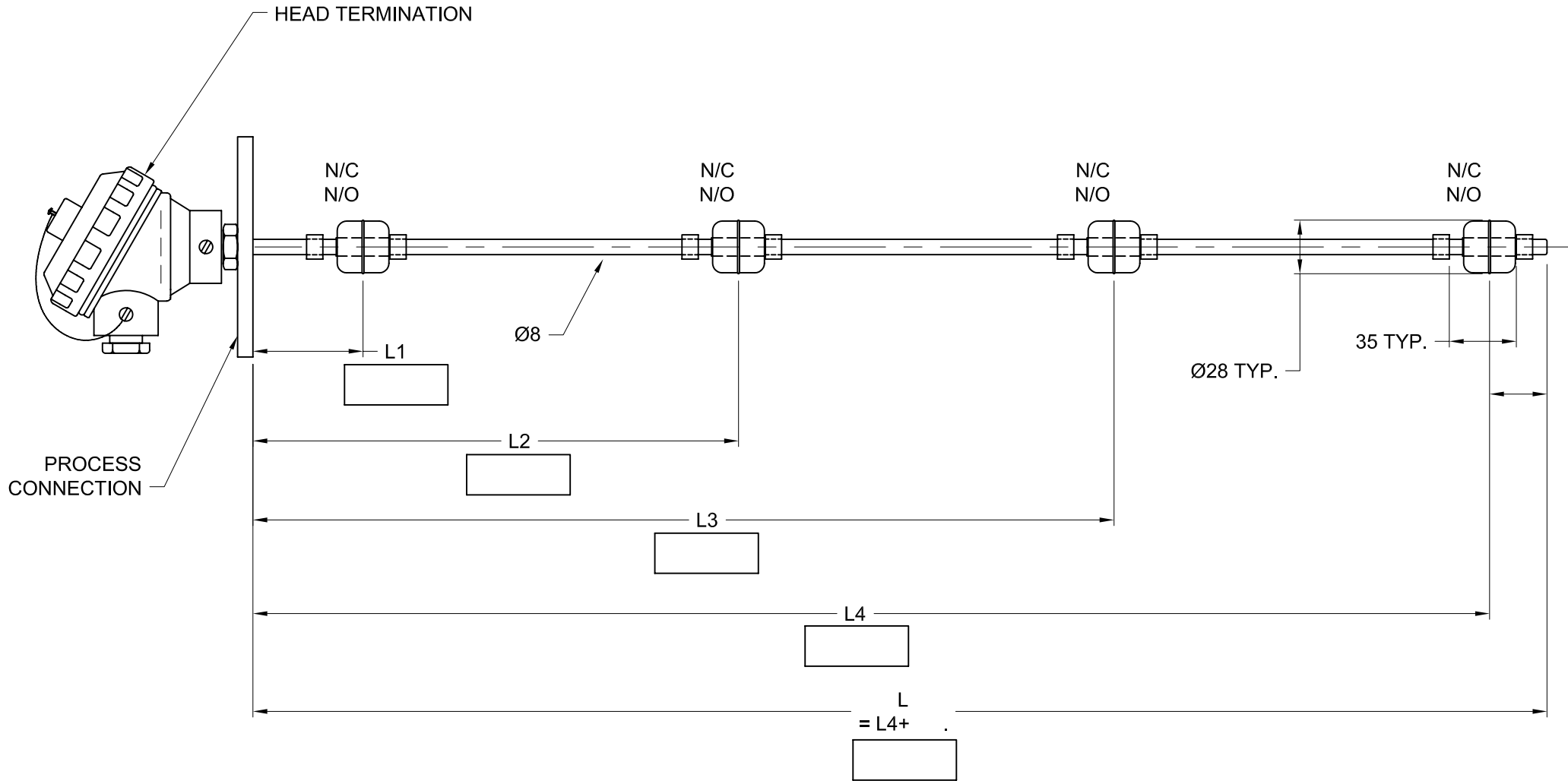
This drawing remains the property of ECEFast. It is subject to recall, and must not be reproduced in part, or in whole, or its contents passed to third parties without prior written consent.



1800 811 818 MELBOURNE  
 www.ecefast.com.au SYDNEY  
 BRISBANE  
 GLADSTONE (QLD)

0 800 ECE FAST  
 www.ecefast.co.nz AUCKLAND (NZ)

Customer		ECE Quote/Job No.	
Customer approval		ECE Dwg No.	
Drawn by	Date	Revision	Units: mm
			Scale: NTS

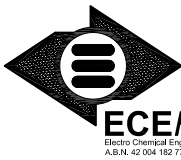


Date	0	Issued for customer approval

**STANDARD TOLERANCES:**  
 0 - 1000 ± 3  
 1000 - 4050 ± 5

**ALL DIMENSIONS IN mm UNLESS OTHERWISE SPECIFIED**

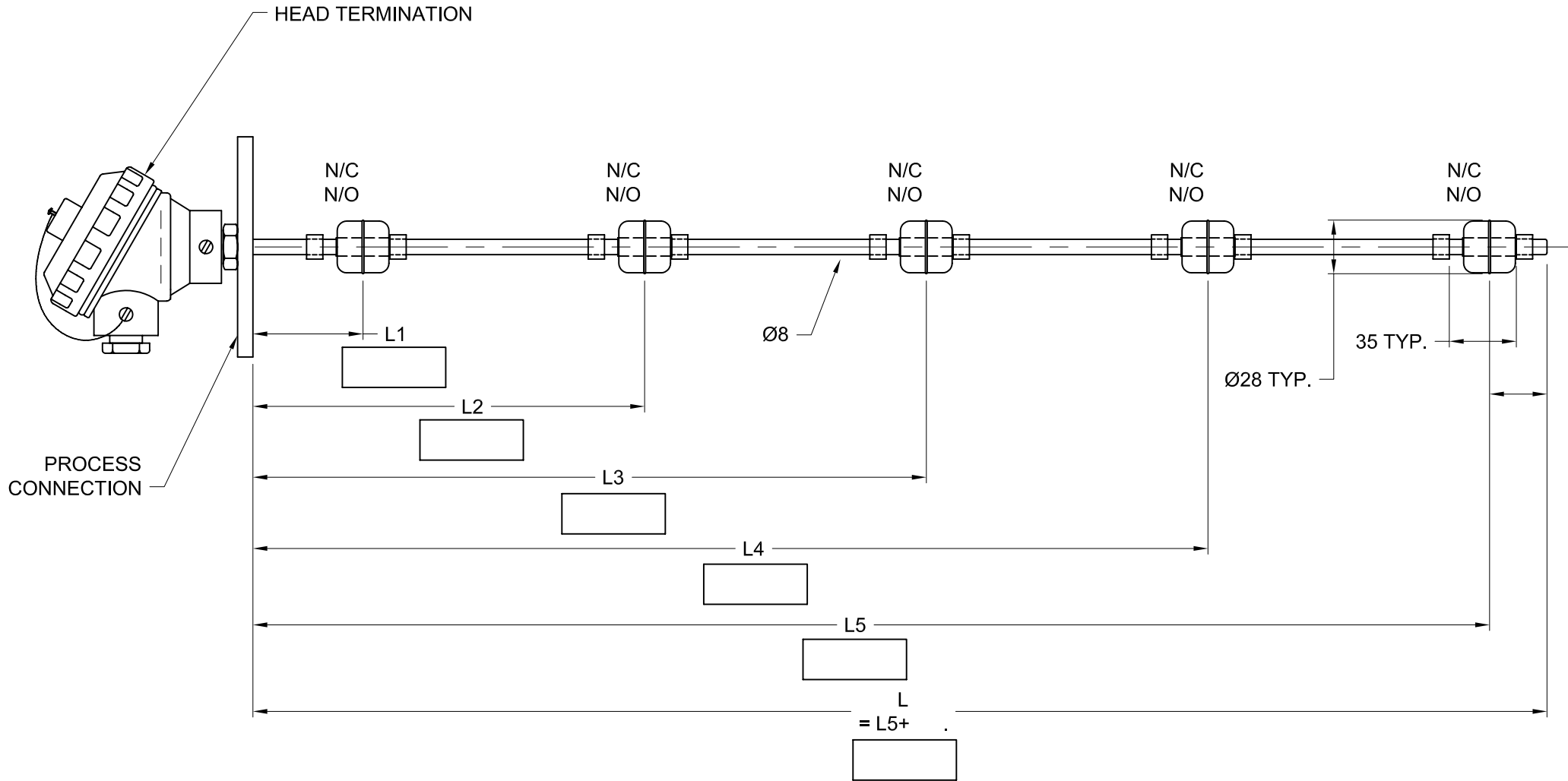
This drawing remains the property of ECEFast. It is subject to recall, and must not be reproduced in part, or in whole, or its contents passed to third parties without prior written consent.



1800 811 818 MELBOURNE  
 www.ecefast.com.au SYDNEY  
 BRISBANE  
 GLADSTONE (QLD)

0 800 ECE FAST  
 www.ecefast.co.nz AUCKLAND (NZ)

Customer		ECE Quote/Job No.	
Customer approval		ECE Dwg No.	
Drawn by	Date	Revision	Units: mm
			Scale: NTS

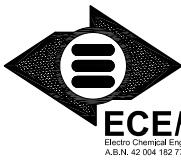


Date	0	Issued for customer approval

**STANDARD TOLERANCES:**  
 0 - 1000 ± 3  
 1000 - 4050 ± 5

**ALL DIMENSIONS IN mm UNLESS OTHERWISE SPECIFIED**

This drawing remains the property of ECEFast. It is subject to recall, and must not be reproduced in part, or in whole, or its contents passed to third parties without prior written consent.



1800 811 818 MELBOURNE  
 www.ecefast.com.au SYDNEY  
 BRISBANE  
 GLADSTONE (QLD)

0 800 ECE FAST  
 www.ecefast.co.nz AUCKLAND (NZ)

Customer		ECE Quote/Job No.	
Customer approval		ECE Dwg No.	
Drawn by	Date	Revision	Units: mm
			Scale: NTS