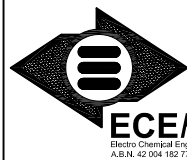


Date	0	Issued for customer approval

STANDARD TOLERANCES:
 0 - 1000 ± 3
 1000 - 4050 ± 5

ALL DIMENSIONS IN mm UNLESS OTHERWISE SPECIFIED

This drawing remains the property of ECEFast. It is subject to recall, and must not be reproduced in part, or in whole, or its contents passed to third parties without prior written consent.

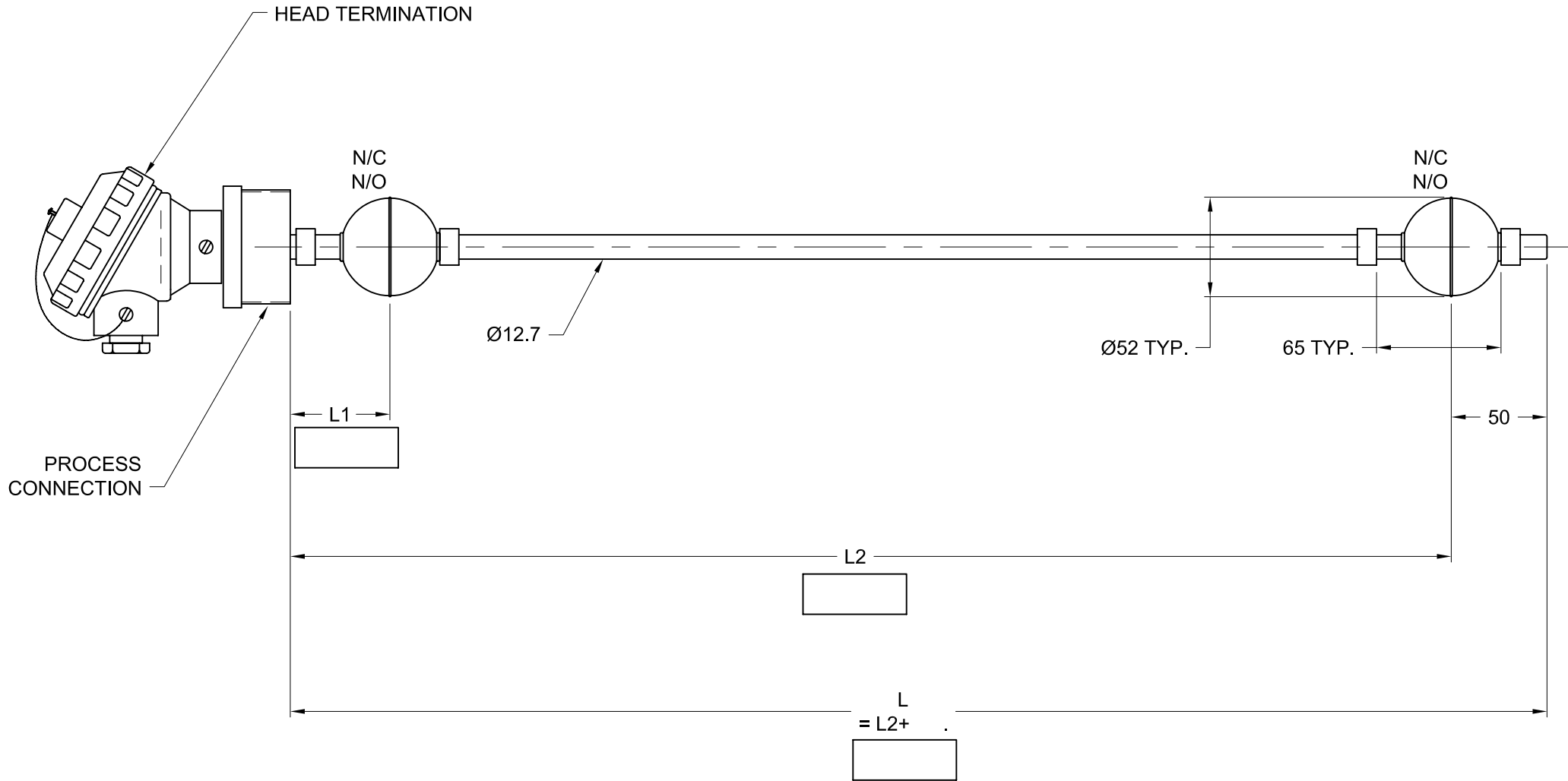


1800 811 818
www.ecefast.com.au

0 800 ECE FAST
www.ecefast.co.nz

MELBOURNE
 SYDNEY
 BRISBANE
 GLADSTONE (QLD)
 AUCKLAND (NZ)

Customer		ECE Quote/Job No.	
Customer approval		ECE Dwg No.	
Drawn by	Date	Revision	Units: mm
			Scale: NTS

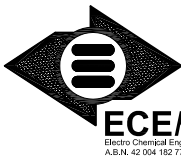


Date	0	Issued for customer approval

STANDARD TOLERANCES:
 0 - 1000 ± 3
 1000 - 4050 ± 5

ALL DIMENSIONS IN mm UNLESS OTHERWISE SPECIFIED

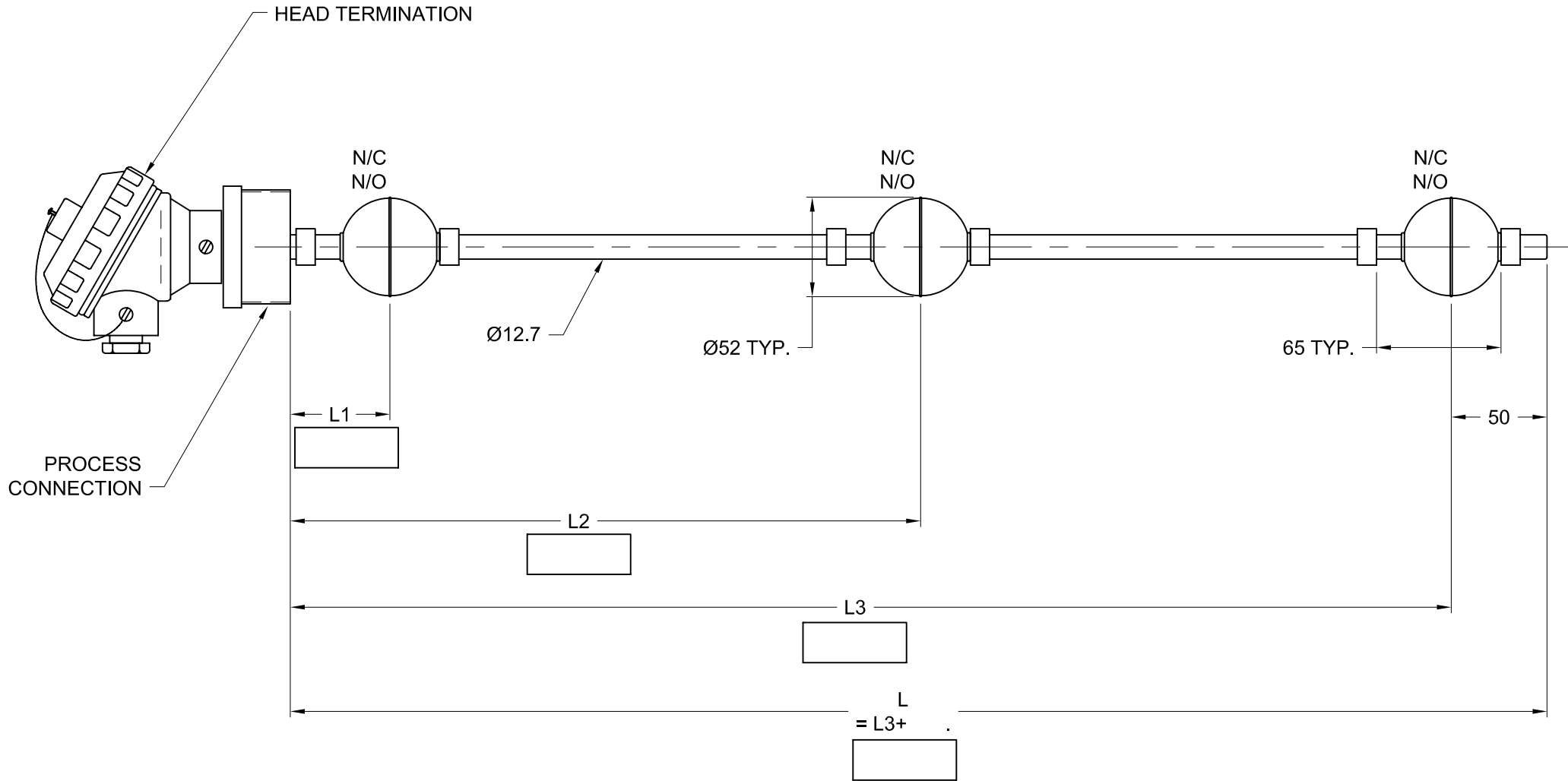
This drawing remains the property of ECEFast. It is subject to recall, and must not be reproduced in part, or in whole, or its contents passed to third parties without prior written consent.



1800 811 818 MELBOURNE
 www.ecefast.com.au SYDNEY
 BRISBANE
 GLADSTONE (QLD)

0 800 ECE FAST
 www.ecefast.co.nz AUCKLAND (NZ)

Customer		ECE Quote/Job No.	
Customer approval		ECE Dwg No.	
Drawn by	Date	Revision	Units: mm
			Scale: NTS

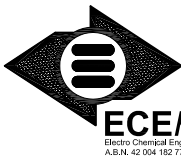


Date	0	Issued for customer approval

STANDARD TOLERANCES:
 0 - 1000 ± 3
 1000 - 4050 ± 5

ALL DIMENSIONS IN mm UNLESS OTHERWISE SPECIFIED

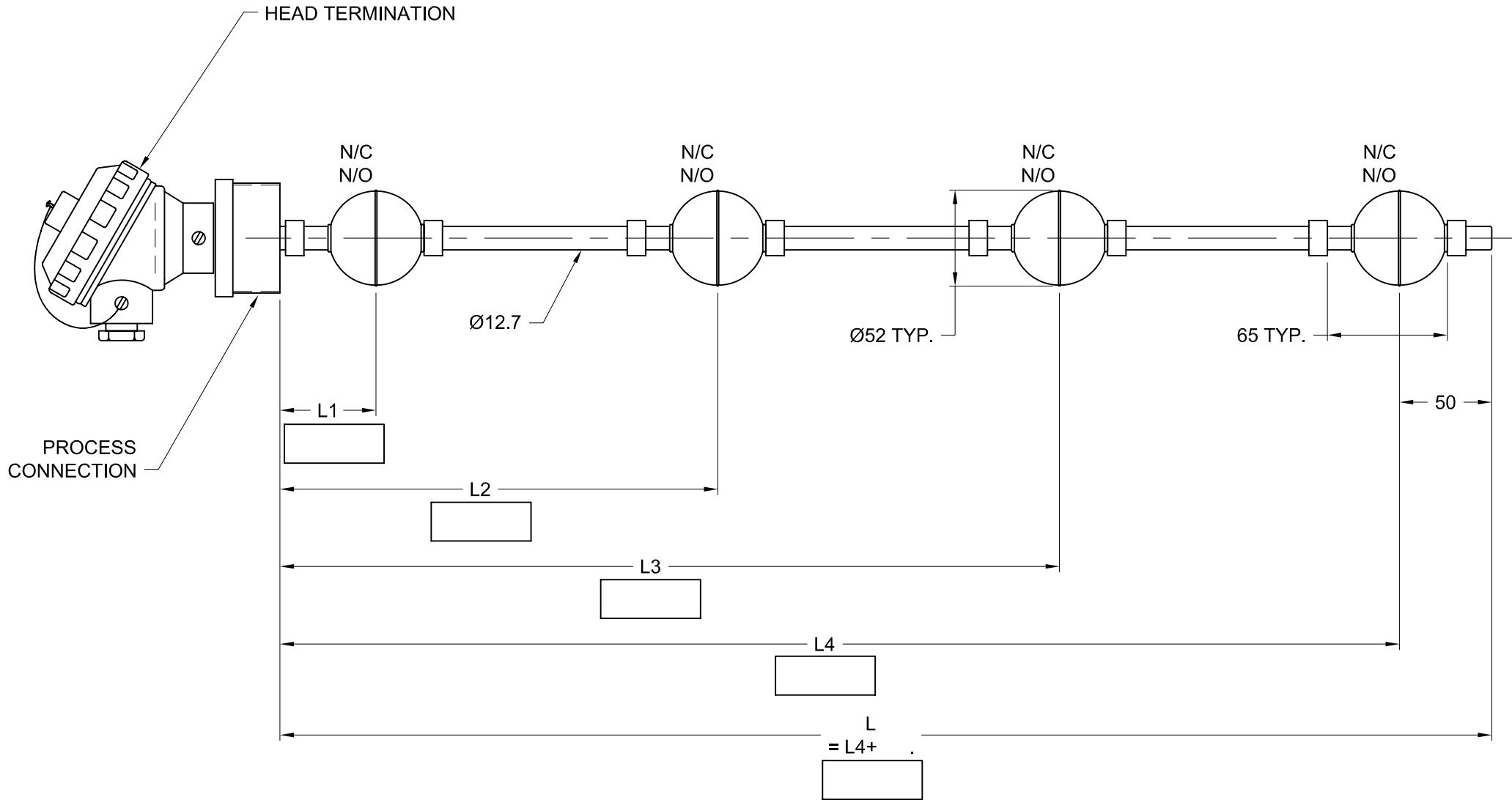
This drawing remains the property of ECEFast. It is subject to recall, and must not be reproduced in part, or in whole, or its contents passed to third parties without prior written consent.



1800 811 818 MELBOURNE
 www.ecefast.com.au SYDNEY
 BRISBANE
 GLADSTONE (QLD)

0 800 ECE FAST
 www.ecefast.co.nz AUCKLAND (NZ)

Customer		ECE Dwg No.	
Customer approval		ECE Dwg No.	
Drawn by	Date	Revision	Units: mm
			Scale: NTS

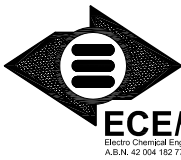


Date	0	Issued for customer approval

STANDARD TOLERANCES:
 0 - 1000 ± 3
 1000 - 4050 ± 5

ALL DIMENSIONS IN mm UNLESS OTHERWISE SPECIFIED

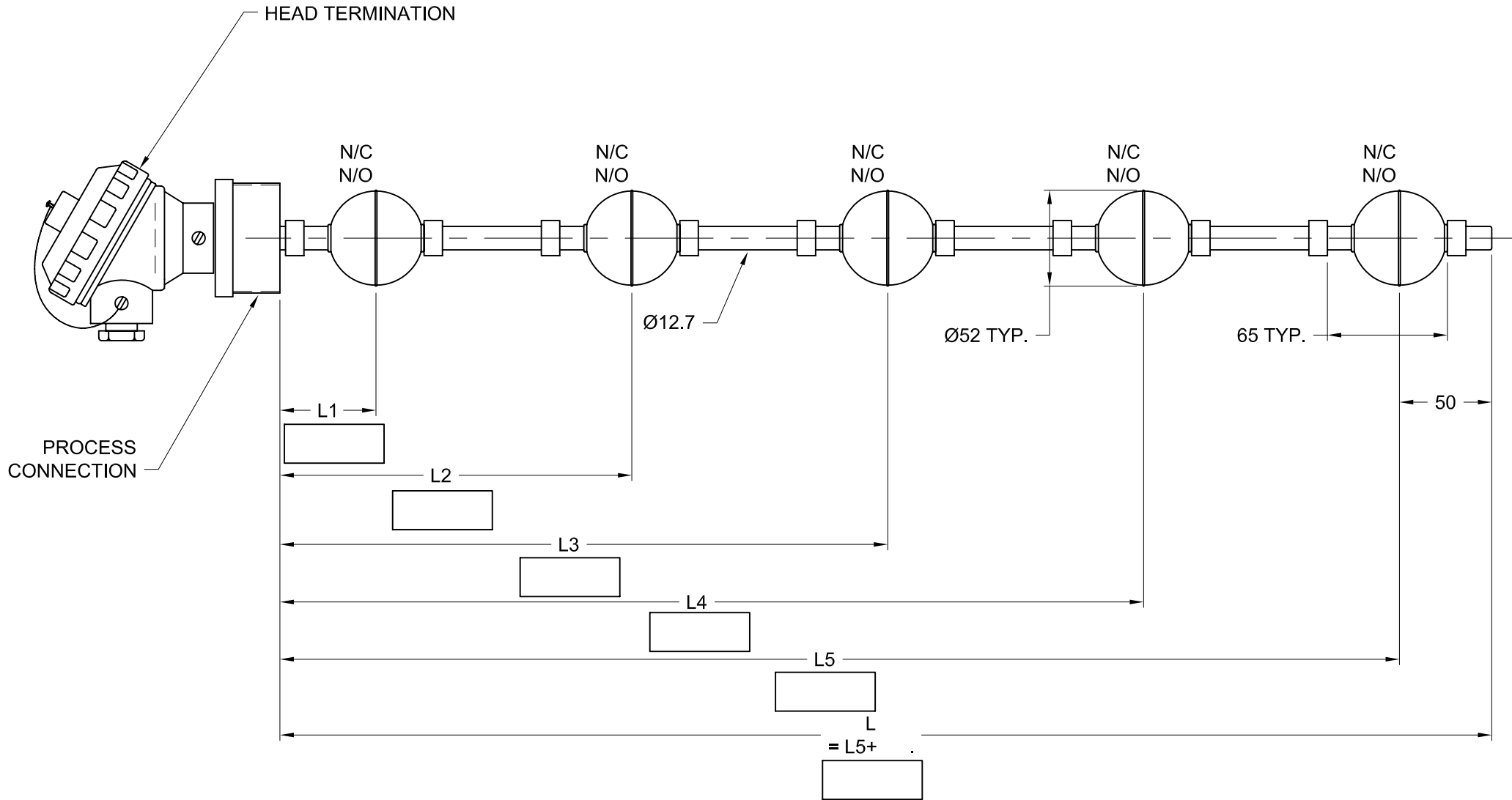
This drawing remains the property of ECEFast. It is subject to recall, and must not be reproduced in part, or in whole, or its contents passed to third parties without prior written consent.



1800 811 818 MELBOURNE
 www.ecefast.com.au SYDNEY
 BRISBANE
 GLADSTONE (QLD)

0 800 ECE FAST
 www.ecefast.co.nz AUCKLAND (NZ)

Customer		ECE Quote/Job No.	
Customer approval		ECE Dwg No.	
Drawn by	Date	Revision	Units: mm
			Scale: NTS

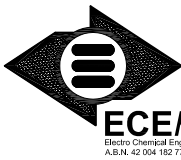


Date	0	Issued for customer approval

STANDARD TOLERANCES:
 0 - 1000 ± 3
 1000 - 4050 ± 5

ALL DIMENSIONS IN mm UNLESS OTHERWISE SPECIFIED

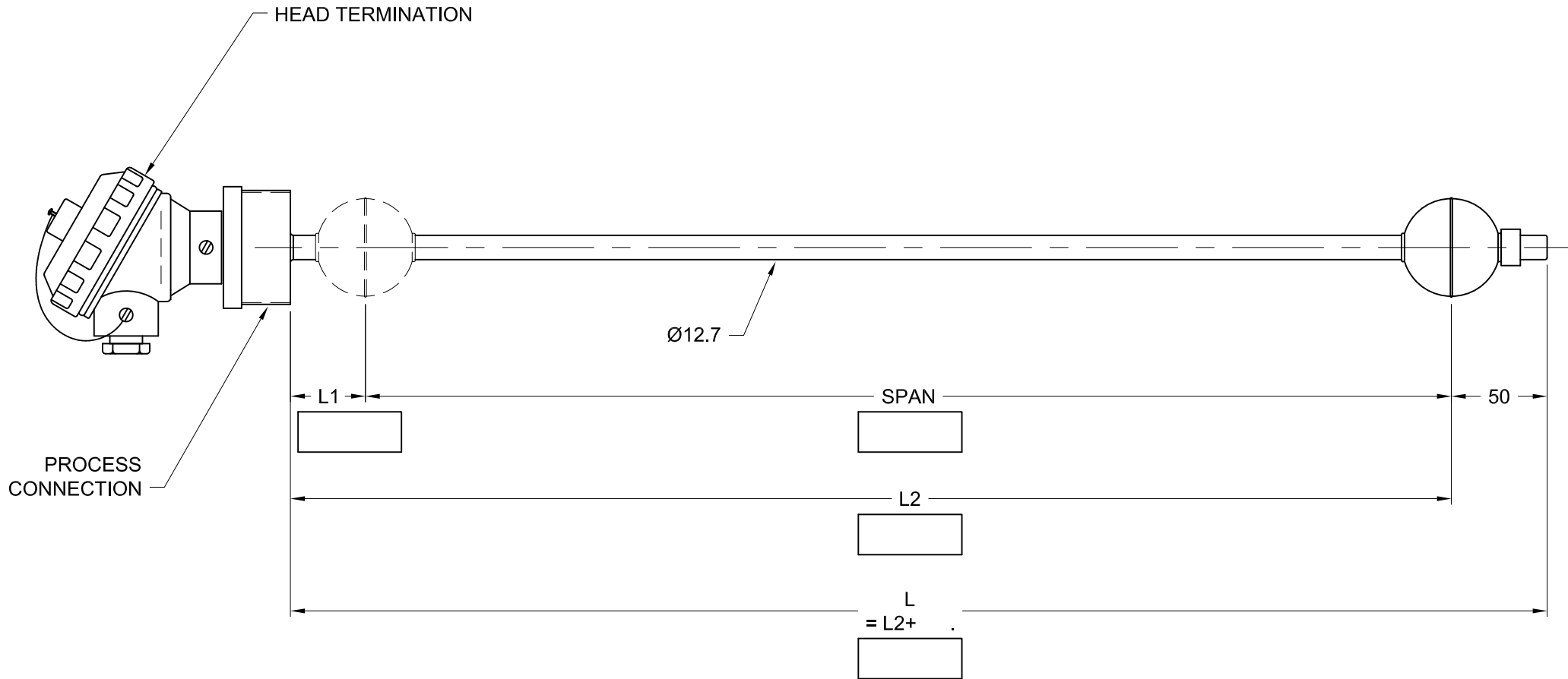
This drawing remains the property of ECEFast. It is subject to recall, and must not be reproduced in part, or in whole, or its contents passed to third parties without prior written consent.



1800 811 818 MELBOURNE
 www.ecefast.com.au SYDNEY
 BRISBANE
 GLADSTONE (QLD)

0 800 ECE FAST
 www.ecefast.co.nz AUCKLAND (NZ)

Customer		ECE Quote/Job No.	
Customer approval		ECE Dwg No.	
Drawn by	Date	Revision	Units: mm
			Scale: NTS



Date	0	Issued for customer approval

STANDARD TOLERANCES:
 0 - 1000 ± 3
 1000 - 4050 ± 5

ALL DIMENSIONS IN mm UNLESS OTHERWISE SPECIFIED

This drawing remains the property of ECEFast. It is subject to recall, and must not be reproduced in part, or in whole, or its contents passed to third parties without prior written consent.



1800 811 818 MELBOURNE
 www.ecefast.com.au SYDNEY
 BRISBANE
 GLADSTONE (QLD)

0 800 ECE FAST
 www.ecefast.co.nz AUCKLAND (NZ)

Customer		ECE Quote/Job No.	
Customer approval		ECE Dwg No.	
Drawn by	Date	Revision	Units: mm
			Scale: NTS