

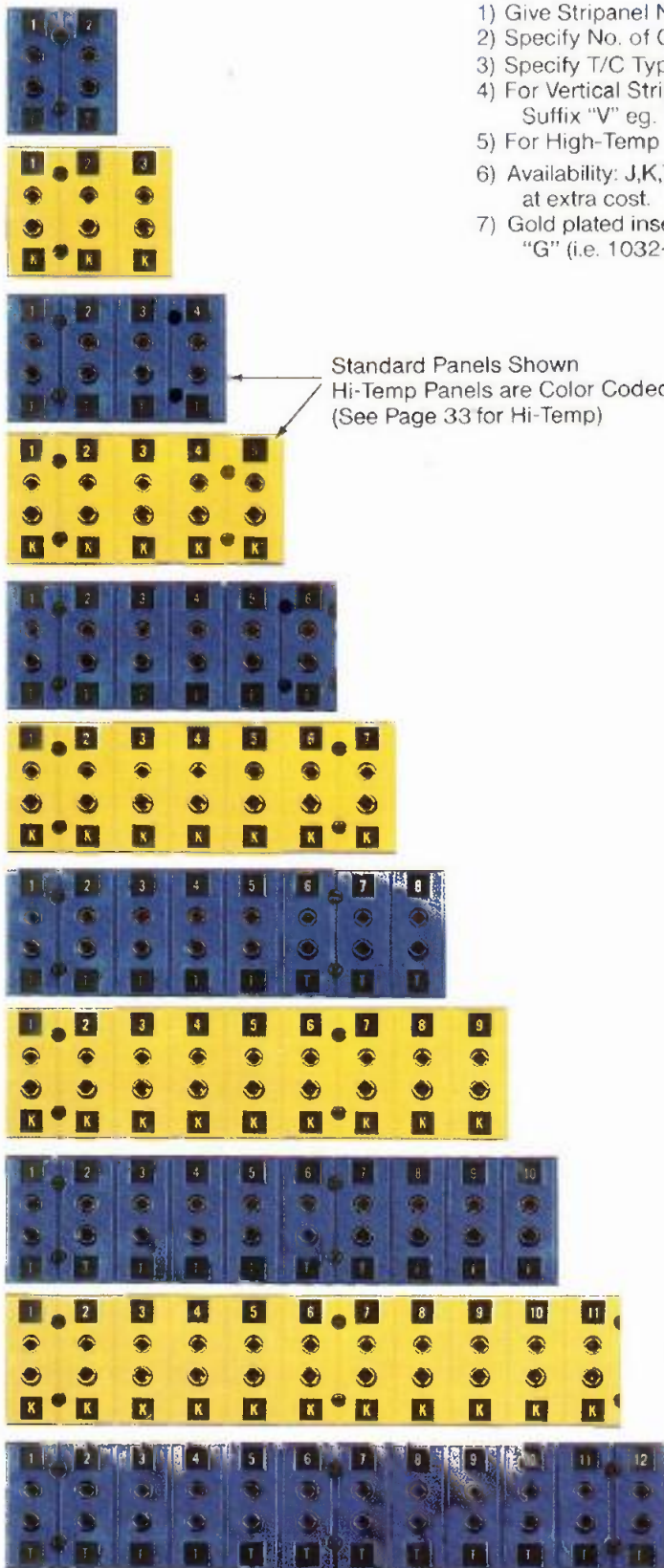
THERMOCOUPLE CONNECTORS—STRIPANELS

- 2-POLE MINIATURE/FULL SIZE
 - 3-POLE MINIATURE/FULL SIZE
- SELECTOR SWITCHES
TERMINAL HEADS/LUGS/HANDLE**



CONNECTORS FULL SIZE — 2-POLE STRIPANEL®

STANDARD 2-POLE/ HI-TEMP 2-POLE	
CODE NUMBER	PRICE
1032-2-(*)	
1132-2-(*)	
1032-3-(*)	
1132-3-(*)	
1032-4-(*)	
1132-4-(*)	
1032-5-(*)	
1132-5-(*)	
1032-6-(*)	
1132-6-(*)	
1032-7-(*)	
1132-7-(*)	
1032-8-(*)	
1132-8-(*)	
1032-9-(*)	
1132-9-(*)	
1032-10-(*)	
1132-10-(*)	
1032-11-(*)	
1132-11-(*)	
1032-12-(*)	
1132-12-(*)	



TO ORDER:

- 1) Give Stripanel No. 1032 - 6 - K
- 2) Specify No. of Circuits \uparrow \uparrow
- 3) Specify T/C Type by Code \uparrow
- 4) For Vertical Strippanels Add Suffix "V" eg. 1032 - 6 - K - V
- 5) For High-Temp Strippanels: 1132 - 6 - K
- 6) Availability: J,K,T,N,E,R,S,U, also "C" at extra cost.
- 7) Gold plated inserts are available at extra cost. "G" (i.e. 1032-6-K-G).

Standard Panels Shown
Hi-Temp Panels are Color Coded "RED"
(See Page 33 for Hi-Temp)

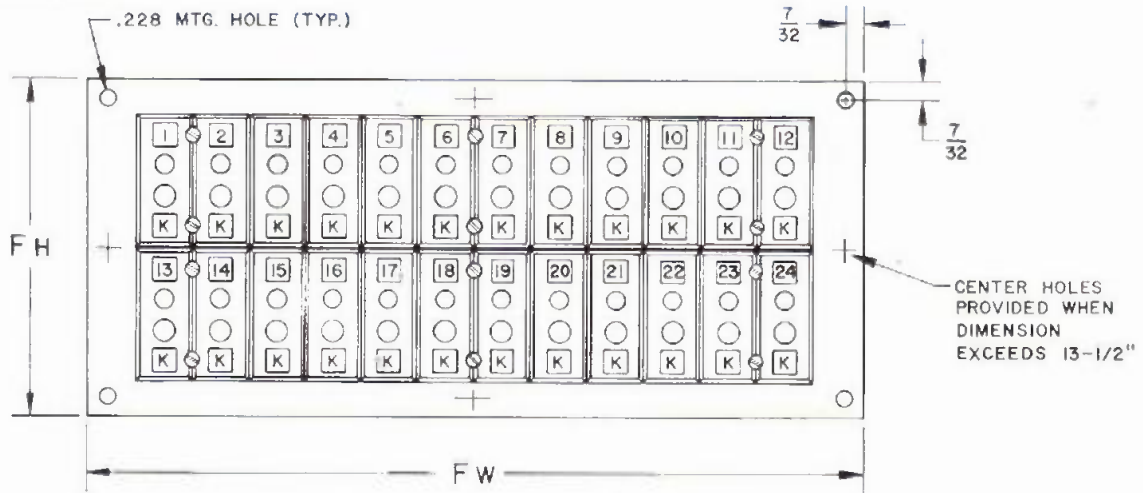
THERMOCOUPLE TYPE	COLOR CODE
T	BLUE
J	BLACK
E	VIOLET
K	YELLOW
N	ORANGE
S	GREEN
R	GREEN
C	BROWN
U	WHITE
ALL HI-TEMP	RED

*TYPE CODE

CONNECTORS

FULL SIZE — 2-POLE STRIPANEL® WITH MOUNTING FRAME

CATALOG NUMBER 1033



Dimension for Panel Assembly
 C_H AND C_W ARE MOUNTING CUTOUT DIMENSIONS

**TOTAL
CIRCUITS**

NUMBER OF ROWS	CIRCUITS PER ROW																								PRICE
	2	3	4	5	6	7	8	9	10	11	12	13	14	15	16	17	18	19	20	21	22	23	24		
1	$F_H = 2\frac{7}{8}''$ $C_H = 1\frac{1}{2}''$	2	3	4	5	6	7	8	9	10	11	12	13	14	15	16	17	18	19	20	21	22	23	24	1033 Standard
2	$F_H = 4\frac{3}{8}''$ $C_H = 3\frac{1}{4}''$	4	6	8	10	12	14	16	18	20	22	24	26	28	30	32	34	36	38	40	42	44	46	48	
3	$F_H = 6\frac{1}{8}''$ $C_H = 5''$	6	9	12	15	18	21	24	27	30	33	36	39	42	45	48	51	54	57	60	63	66	69	72	
4	$F_H = 7\frac{7}{8}''$ $C_H = 6\frac{3}{4}''$	8	12	16	20	24	28	32	36	40	44	48	52	56	60	64	68	72	76	80	84	88	92	96	
5	$F_H = 9\frac{5}{8}''$ $C_H = 8\frac{1}{2}''$	10	15	20	25	30	35	40	45	50	55	60	65	70	75	80	85	90	95	100	105	110	115	120	
6	$F_H = 11\frac{3}{8}''$ $C_H = 10\frac{1}{4}''$	12	18	24	30	36	42	48	54	60	66	72	78	84	90	96	102	108	114	120	126	132	138	144	1133 Hi-Temp
7	$F_H = 13\frac{1}{8}''$ $C_H = 12''$	14	21	28	35	42	49	56	63	70	77	84	91	98	105	112	119	126	133	140	147	154	161	168	
8	$F_H = 14\frac{7}{8}''$ $C_H = 13\frac{3}{4}''$	16	24	32	40	48	56	64	72	80	88	96	104	112	120	128	136	144	152	160	168	176	184	192	
9	$F_H = 16\frac{5}{8}''$ $C_H = 15\frac{1}{2}''$	18	27	36	45	54	63	72	81	90	99	108	117	126	135	144	153	162	171	180	189	198	207	216	
10	$F_H = 18\frac{3}{8}''$ $C_H = 17\frac{1}{4}''$	20	30	40	50	60	70	80	90	100	110	120	130	140	150	160	170	180	190	200	210	220	230	240	

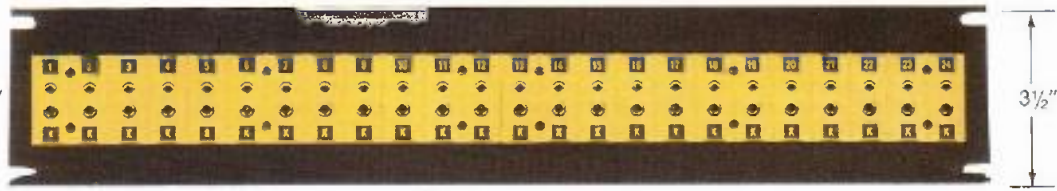
- Strippanels with mounting frames can accommodate virtually any number of circuits.
- One-piece mounting frame is made of 3/32" thick rigid steel with flat black finish.
- For specifications see Strippanel 1032 section.
- For frame sizes other than those in table consult Factory.
- Horizontal rows are assumed unless specified vertical by the suffix "V" which are numbered from top to bottom:
e.g. 1033 - 4 X 12 - 48 - K - V.
- Strippanels with mounting frames will withstand ambient temperatures of 400°F (205°C) continuous and 500°F (260°C) intermittent. Hi-Temp panels will withstand ambient temperatures to 800°F (425°C) continuous and 1000°F (540°C) intermittent.
- For corrosive applications, gold plated inserts are available. Caution — system errors can result from use of plated contacts if significant thermal gradients exist at connector.

TO ORDER:

1. Give Strippanel No. —————→ 1033 - 4 X 12 - 48 - K
2. Specify No. of Horizontal Rows —————↑
3. Specify No. of Circuits per Row —————↑
4. Give Total Number of Circuits —————↑
5. Specify Thermocouple Type Code —————↑
6. For Vertical Rows Add Suffix "V"
e.g. 1033 - 4 x 12 - 48 - K - V
7. For Hi-Temp Strippanel In Frame:
e.g. 1133 - 4 x 12 - 48 - K
8. Availability: J,K,T,N,E,R,S,U, also "C" at extra cost.
9. Gold plated inserts are available at extra cost.
Use suffix "G" (i.e. 1033-4x12-48-K-G).

CONNECTORS

FULL SIZE — 2-POLE — 19" RACK — MOUNTED STRIPANEL®



Heavy Duty Steel Frame is sturdy, will not flex in use.

Universal 19" Rack Frame Accepts 2 to 24 Circuits of 1032 Strippanels

- Universal 19" Rack accepts 2 to 24 circuits of 1032 Strippanels, less than 24 circuits are supplied with filler sections.
- Circuits can be added in the field without changing frame.
- 19" Rack Frame is made of sturdy 10 ga. steel that will not flex in use. Standard frame is flat black. High-Temp frame is bright silver finish.
- Thermocouple type and circuit numbers are marked on face of Strippanel with corresponding circuit numbers and polarity identification on the back. Strippanels are numbered starting from "1" unless specified otherwise.
- Strippanels are molded of glass-filled thermoset compounds (will not melt) for high strength and dependability. The color coded panels will withstand ambient temperatures to 400°F (205°C) continuous and 500°F (260°C) intermittent. High-Temperature panels (All Hi-Temp panels are color coded red) will withstand ambient temperatures to 800°F (425°C) continuous and 1000°F (540°C) intermittent.
- Inserts are spring loaded collet type to assure positive full contact with the negative insert larger making it virtually impossible to mismatch.
- For corrosive application, gold plated contacts are available. Caution — system errors can result from use of plated contacts if significant thermal gradients exist at connection.

TO ORDER:

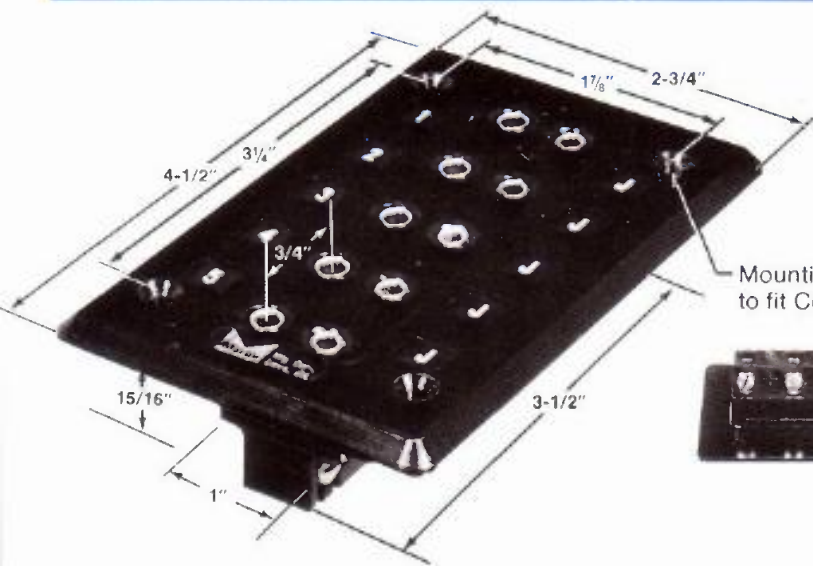
1. Give Code No. 1041 - 24 - K
2. Specify number of circuits ↑
3. Designate Thermocouple Type by Code ↑
4. For Hi-Temp Strippanel: 1141 - 24 - K

TYPE CODE	INSERT MAT'L. ALLOY		COLOR CODE
	POSITIVE	NEGATIVE	
J	IRON	CONSTANTAN	BLACK
T	COPPER	CONSTANTAN	BLUE
K	CHROMEL™	ALUMEL™	YELLOW
N	NICROSIL	NISIL	ORANGE
R	COPPER	#11 ALLOY	GREEN
S	COPPER	#11 ALLOY	GREEN
E	CHROMEL™	CONSTANTAN	VIOLET
U	COPPER	COPPER	WHITE
C	#405 ALLOY	#426 ALLOY	BROWN
(ALL HI-TEMP STRIPANELS)			RED

*For type "C" at extra cost.

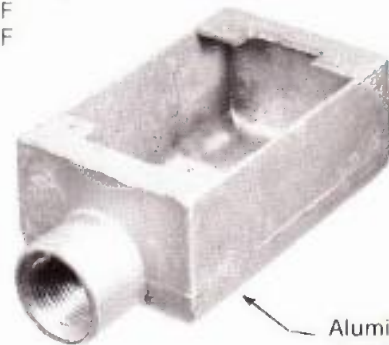
Gold plated contacts available at extra cost. Use suffix "G" (i.e. 1041-24-K-G).

CONNECTORS CONDUIT BOX PANEL



- 1 to 5 circuits
- Color Coded
- Molded Channels guide wires for quick, easy connections.
- Molded of Thermoset Compounds
- See 1032 for basic specs.
- Standard 400° F
- Hi-Temp. 800° F

Mounting Screws to fit Conduit Box



Aluminum Conduit Box

2-POLE JACK PANEL FOR CONDUIT BOX		
CODE NO.	PRICE EACH	
1030-5-(*)		
1030-4-(*)		
1030-3-(*)		
1030-2-(*)		
1030-1-(*)		

*Specify Calibration J,K,T,N,E,R,S,U

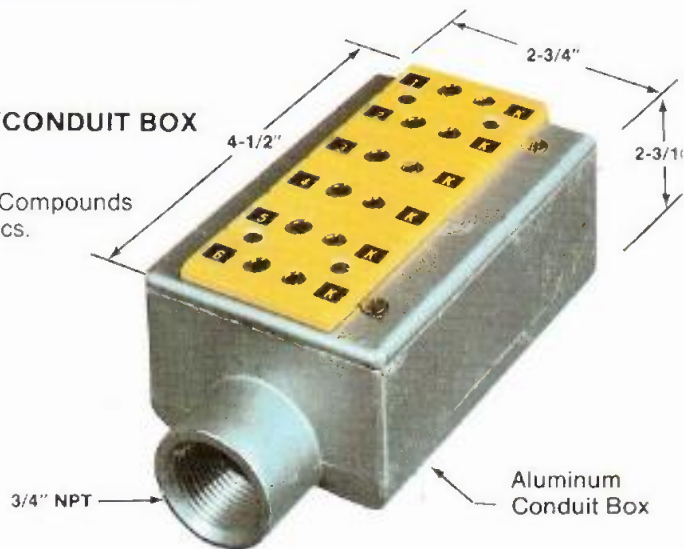
2-POLE HI-TEMP JACK PANEL FOR CONDUIT BOX		
CODE NO.	PRICE EACH	
1130-5-(*)		
1130-4-(*)		
1130-3-(*)		
1130-2-(*)		
1130-1-(*)		

*Specify Calibration J,K,T,N,E,R,S,U

CONDUIT BOX FOR PANEL		
CODE NO.	PRICE EACH	DESCRIPTION
1040		Conduit Box for 1030 Panels

6 CIRCUIT PANEL w/CONDUIT BOX

- Color Coded
- Molded of Thermoset Compounds
- See 1032 for basic specs.
- Standard to 400° F
- Hi-Temp. to 800° F



2-POLE 6-CIRCUIT PANEL w/CONDUIT BOX		
CODE NO.	PRICE	
1036-6-(*) (with FS Box)		

*Specify Calibration J,K,T,N,E,R,S,U

HI-TEMP 2-POLE 6-CIRCUIT PANEL w/CONDUIT BOX		
CODE NO.	PRICE	
1136-6-(*) (with FS Box)		

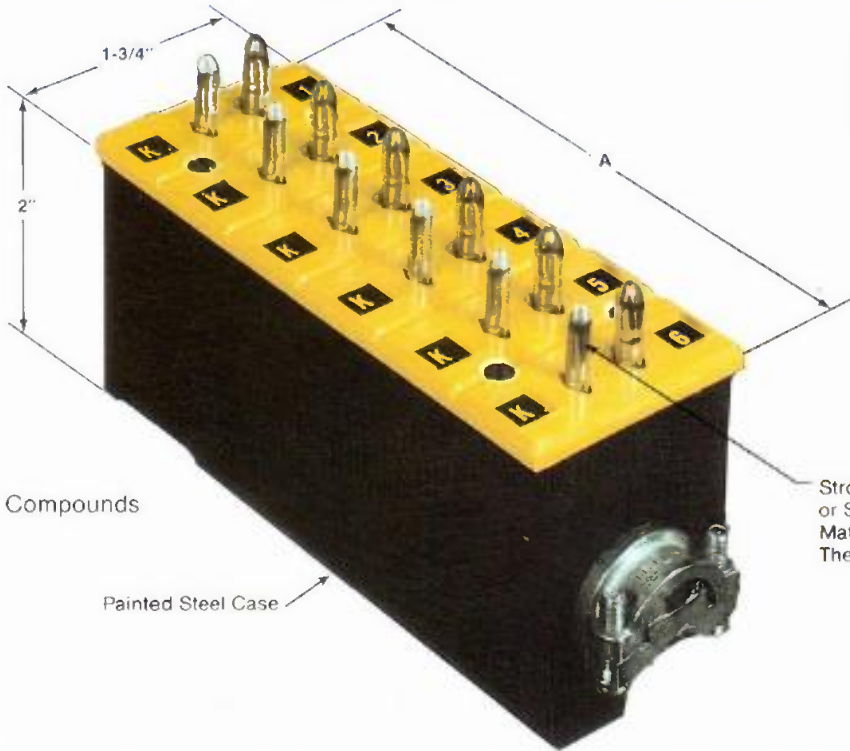
*Specify Calibration J,K,T,N,E,R,S,U

CONDUIT BOX FOR 1036-6 PANEL IF ORDERED SEPARATELY		
CODE NO.	PRICE	
1040-6		

*Includes cover plate.

CONNECTORS MULTIPLUG AND RSC (Round Single Circuit) PANEL

NO. OF CIRCUITS	"A"
2	1½"
3	2¼"
4	3"
5	3¾"
6	4½"



- 2 to 6 circuits
- Color Coded
- Molded of Thermoset Compounds
- See 1032 Stripanel® for specifications
- Standard 400° F
- Hi-Temp. 800° F

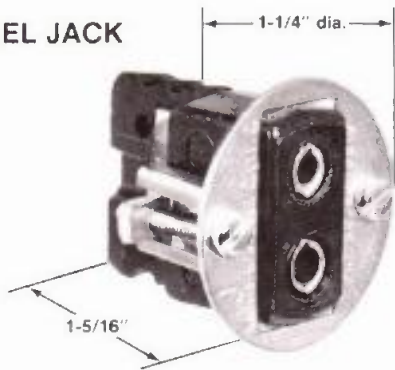
2-POLE MULTIPLUG		
CODE NO.	PRICE EACH ¹	
1062-2-*		
1062-3-*		
1062-4-*		
1062-5-*		
1062-6-*		

* - Specify calibration J,K,T,N,E,R,S,U,C
1 - For solid pins use No. 1052-()-() at extra cost.

HI-TEMPERATURE 2-POLE MULTIPLUG		
CODE NO.	PRICE EACH	
1162-2-*		
1162-3-*		
1162-4-*		
1162-5-*		
1162-6-*		

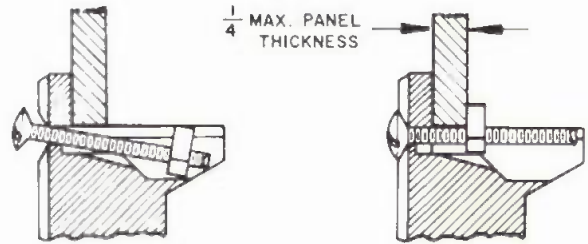
1) For hi-temp with solid pins, use No. 1152-()-() at extra cost.

RSC PANEL JACK



Single circuit jack designed for mounting into control panel or instrument case can be wired and installed completely from the front. Fits in standard ¾" knockout (1⅛" diameter). **Permanently attached self-fastening device** simplifies mounting, holds tight.

Patent No. 3046516



ON RSC PANEL JACK OR STRIPANEL

Ready for installation, T-nuts are out of the way at bottom of track.

COMPLETELY FRONT FASTENING

Screws accessible from the front draw T-nuts up metal track and hold them tight against back wall.

RSC 2-POLE JACK PANEL		
CODE NO.	PRICE EACH ¹	
1031-*		

HIGH TEMPERATURE RSC 2-POLE JACK PANEL		
CODE NO.	PRICE EACH ¹	
1131-*		

RSC MOUNTING HARDWARE (If ordered separately)		
CODE NO.	PRICE EACH ¹	
1095		

NOTES: *Specify Calibration J,K,T,N,E,R,S,U,C