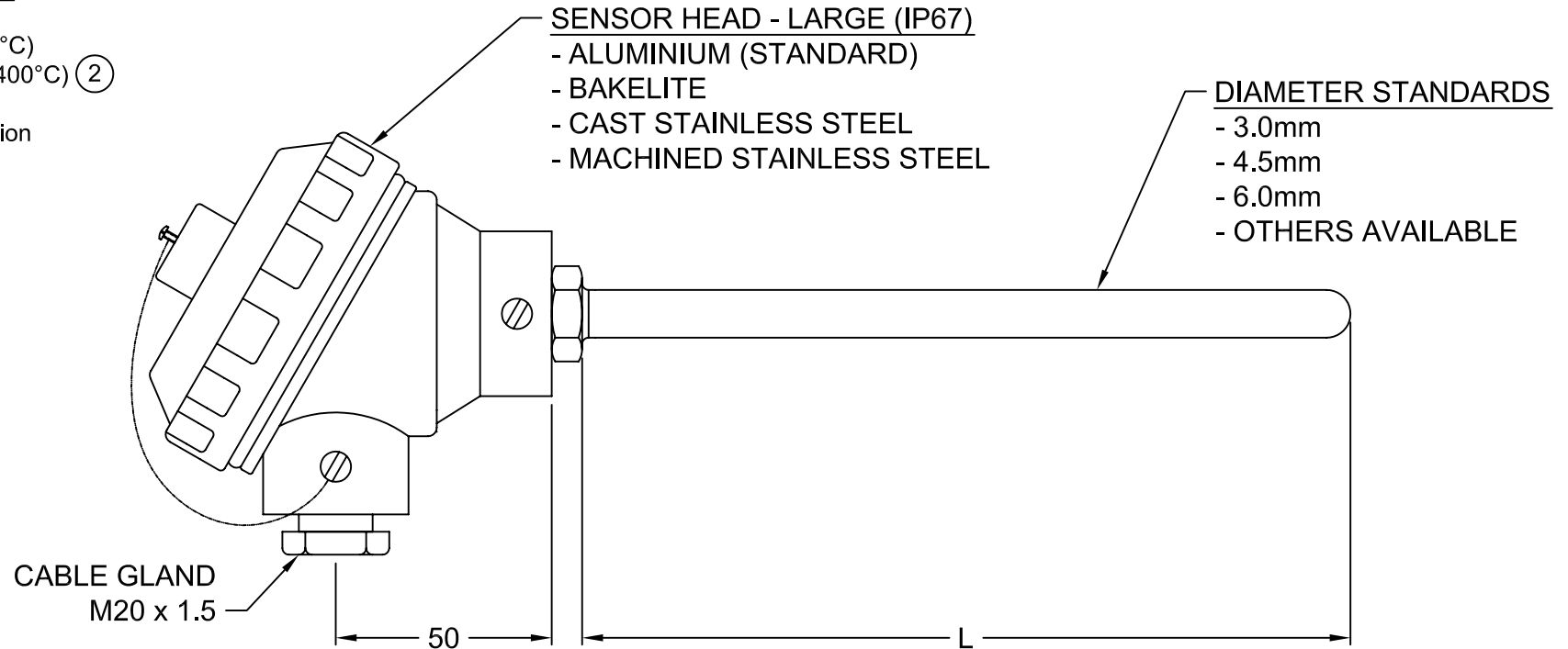


CALIBRATION OPTIONS

- K type (to 1100°C)
- J type (0°C to 750°C)
- T type (-200°C to 400°C) ②
- N type (to 1150°C)
- refer to quote for selection



STANDARD THERMOCOUPLE CONSTRUCTION

- For standard operating temperature range, refer to Calibration Options table above
- Cold junction rated to 100°C
- Connector block is bakelite (ceramic optional)
- No process fitting (compression fittings can be supplied, please specify)
- Duplex construction, junctions insulated, isolated and at similar depth
- Thermocouples are ungrounded mineral insulated cable in:
 - (K) - 310 stainless steel sheath
 - (J, T)- 316 stainless steel sheath ②
 - (N) - Inconel 600 or Pyrosil sheath

ADDITIONAL REQUIREMENTS

- If variations from the standard construction, or additional features are required, please specify.
- Options include:
- Transmitter fitted
 - Different temperature ranges
 - Grounded, common or exposed junctions
 - Sheath material
 - Higher temperature required at cold junction

2	DR	18/05/07	400°C WAS 200°C, TOLERANCES ADDED TO BORDER DETAIL J STANDARD SHEATH 316 SS WAS 310 SS
1	GC/DR	AUG 06	RE-DRAWN & RE-ISSUED
0	CL/RG	JUL 05	2nd ISSUE

APP	R.G	JAN 05	STANDARD TOLERANCES: 0 - 1000 ± 5 1000 - 2500 + 5 / - 15 2500 + ± 1.5 % ALL DIMENSIONS IN mm UNLESS OTHERWISE SPECIFIED This drawing remains the property of ECEFast. It is subject to recall, and must not be reproduced in part, or in whole, or its contents passed to third parties without prior written consent.
CKD	G.C.	NOV 04	
DWN	C.L.	MAR 04	
	NAME	DATE	

1800 811 818
www.ecefast.com.au

ECEFast
Electric Chemical Engineering Pty Ltd
 A.B.N. 42 904 161 712

0 800 ECE FAST
www.ecefast.co.nz

MELBOURNE
SYDNEY
BRISBANE
GLADSTONE (QLD)
AUCKLAND (NZ)

TEMP SENSOR
 MODEL TS-14 (duplex)
 NO PROCESS FITTING
 LARGE HEAD

TS-14-CAT	
ECE Dwg No.	2
Revision:	Units: mm Scale: NTS