

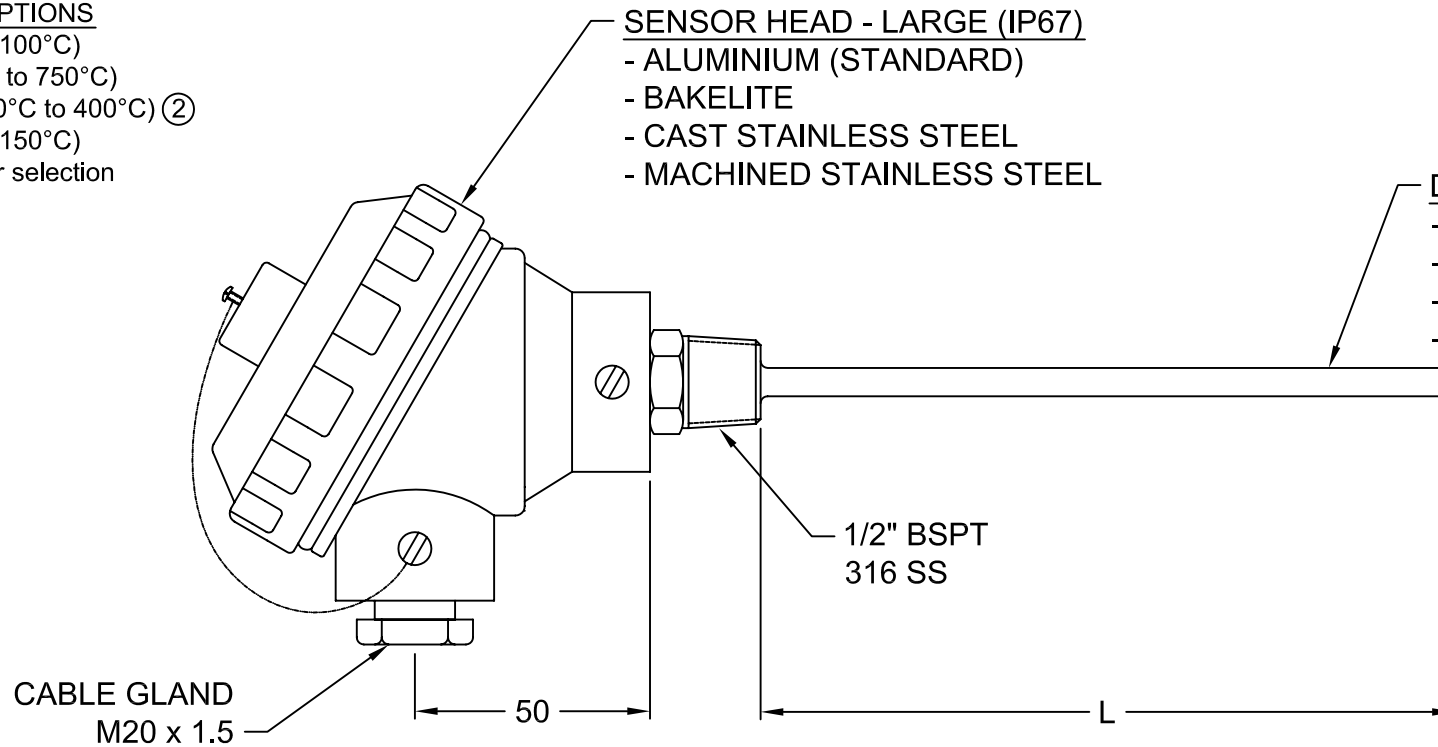
**CALIBRATION OPTIONS**

- K type (to 1100°C)
- J type (0°C to 750°C)
- T type (-200°C to 400°C) ②
- N type (to 1150°C)
- refer to quote for selection

- SENSOR HEAD - LARGE (IP67)**
- ALUMINIUM (STANDARD)
  - BAKELITE
  - CAST STAINLESS STEEL
  - MACHINED STAINLESS STEEL

**DIAMETER STANDARDS**

- 3.0mm
- 4.5mm
- 6.0 mm
- OTHERS AVAILABLE



**STANDARD THERMOCOUPLE CONSTRUCTION**

- For standard operating temperature range, refer to Calibration Options table above
- Cold junction rated to 100°C
- Connector block is bakelite (ceramic optional)
- Process fitting is 1/2" BSPT
- Duplex construction, junctions isolated, insulated and at similar depths
- Thermocouples are ungrounded mineral insulated cable in:
  - (K) - 310 stainless steel sheath
  - (J, T)- 316 stainless steel sheath ②
  - (N) - Inconel 600 or Pyrosil sheath

**ADDITIONAL REQUIREMENTS**

- If variations from the standard construction, or additional features are required, please specify.
- Options include:
- Transmitter fitted
  - Different temperature ranges
  - Grounded, common or exposed junctions
  - Sheath material
  - Higher temperature required at cold junction

2	DR	18/05/07	400°C WAS 200°C, TOLERANCES ADDED TO BORDER DETAIL J STANDARD SHEATH 316 SS WAS 310 SS
1	GC/DR	SEPT 06	RE-DRAWN & RE-ISSUED
0	CL/RG	JUL 05	2nd ISSUE

APP	R.G	JAN 05	<b>STANDARD TOLERANCES:</b> 0 - 1000 ± 5 1000 - 2500 + 5 / - 15 2500 + ± 1.5 % ALL DIMENSIONS IN mm UNLESS OTHERWISE SPECIFIED
CKD	G.C.	NOV 04	
DWN	C.L.	MAR 04	
	NAME	DATE	

1800 811 818 MELBOURNE  
www.ecefast.co.au SYDNEY  
BRISBANE  
GLADSTONE (QLD)

**ECEFast** 0 800 ECE FAST  
Electro Chemical Engineering Pty Ltd  
AUCKLAND (NZ)  
www.ecefast.co.nz

**TEMP SENSOR**  
MODEL TS-15 (duplex)  
1/2" BSP PROCESS FITTING  
LARGE HEAD

<b>TS-15-CAT</b>	
ECE Dwg No.	2
Revision:	Units: mm Scale: NTS