

Atkins replacement probes for 350 series thermometers

Model 55032 / 55032-N

DuraNeedle probe

Temp Range : -73° to 260°C

Max Tip Temp : 260°C

Max Cable/Handle Temp: 205°C

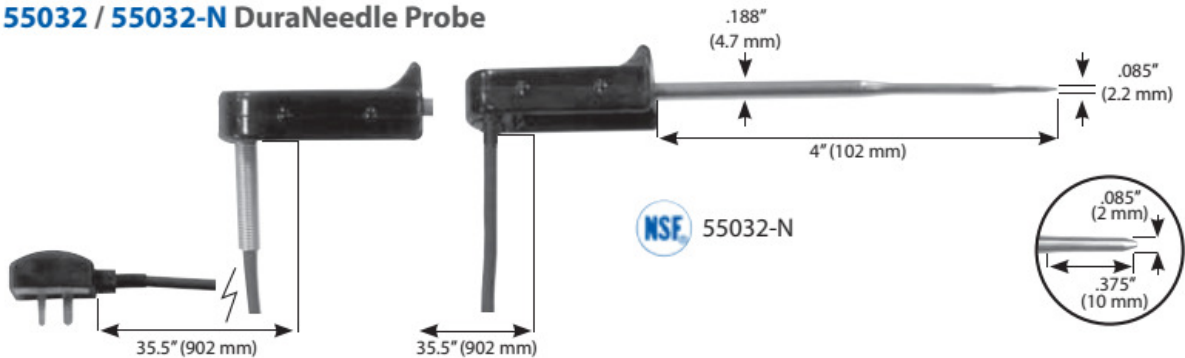
Response Time : 1 second, liquid

55032-N is the replacement probe for NSF approved Instruments

55032 with more robust spring strain relief, is not NSF approved.

Designed to measure dense meats, soft foods and liquids.

55032 / 55032-N DuraNeedle Probe



Model 55035

Surface probe

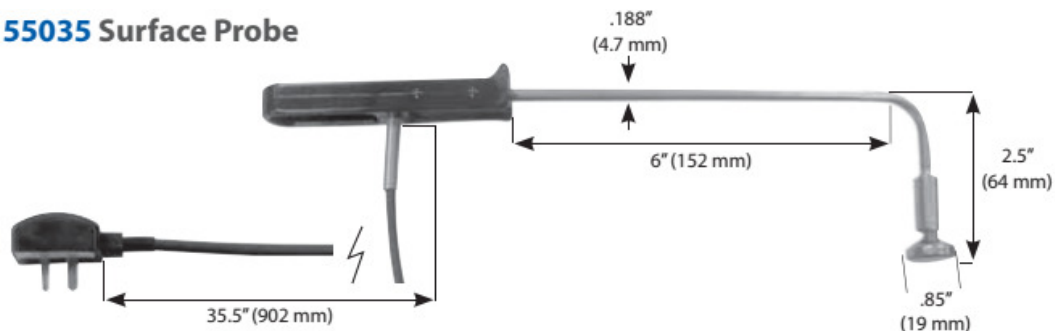
Temp Range : -40° to 260°C

Max Tip Temp : 260°C

Max Cable/Handle Temp: 205°C

Response Time : 2 seconds, oiled surface

55035 Surface Probe



Model 55040 / 55040-N

Microneedle probe

Temp Range : -73° to 260°C

Max Tip Temp : 260°C

Max Cable/Handle Temp: 205°C

Response Time : 1 second, liquid

55040-N Is NSF approved when used with 350 series

55040 with more robust spring strain relief, is not NSF approved

55040 / 55040-N MicroNeedle Probe

