

## SIER ELECTRONICS SPT21C Pressure Transmitter



### Features

- Reliable performance, easy application
- Short protection and reverse polarity protection
- Gauge, absolute and sealed gauge optional
- Compact size

**SPT21C2** series SPT21C is piezo-resistive pressure transmitter, uses high stable and reliable pressure sensor and special circuit board to produce transmitter. This product is used for measure and control of petroleum, chemical industry, electric power, hydrology and flow pressure measure, etc

### Specification

- Pressure range: -0.1...0~0.01...100MPa (-1...0~0.1...1000bar)
- Over pressure: 1.5 times FS or 110MPa (min. value is valid)
- Pressure type: Gauge/absolute/sealed gauge optional
- Process connection: G1/4 male thread (or as per customer's requirement)
- Accuracy:  $\pm 0.5\%FS$
- Long term stability: max.  $\pm 0.3\%FS/year$
- Offset thermal drift:  $0.1\%FS/^{\circ}C (\leq 100kPa)$ ,  $0.05\%FS/^{\circ}C (> 100kPa)$
- Span thermal drift:  $0.1\%FS/^{\circ}C (\leq 100kPa)$ ,  $0.05\%FS/^{\circ}C (> 100kPa)$
- Compensated temp.: 0~50 $^{\circ}C$
- Application temp.: -30~80 $^{\circ}C$
- Storage temp.: -40~120 $^{\circ}C$
- Power supply: 11~28VDC
- Output signal: 4~20mA(2 wires) 0/1~5VDC(3 wires)
- Load resistance:  $\leq (U-12) / 0.02\Omega$  (2-wire) ,  $\geq 10k$  (3-wire)
- Housing protection: IP65
- Electrical connection: DIN43650 plug/M12 connector/Cable

**Free Call 0800 323 327**

ECEFAST NZ LIMITED NZBN: 9429037885434

[info@ecefast.co.nz](mailto:info@ecefast.co.nz)

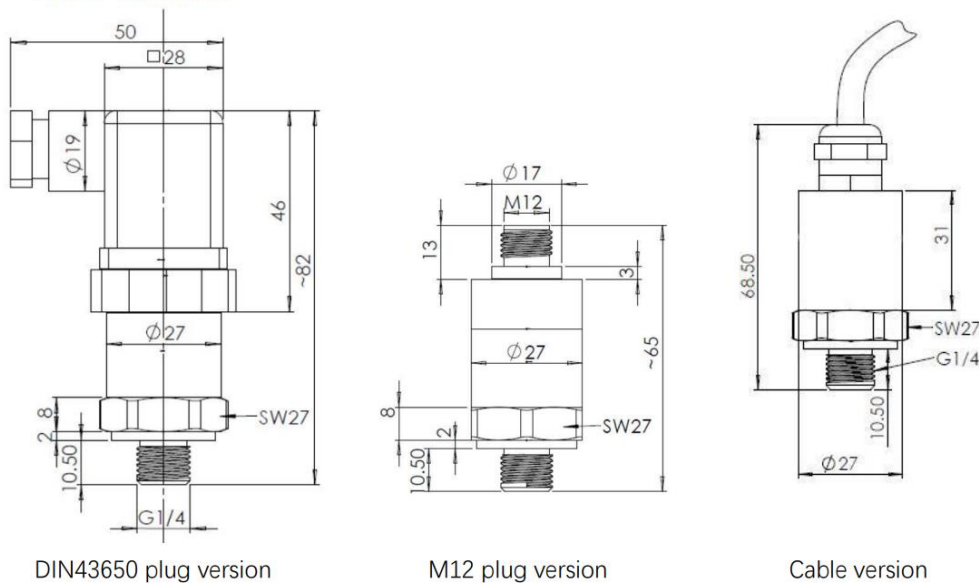
[www.ecefast.co.nz](http://www.ecefast.co.nz)

## Construction and Outline Dimension

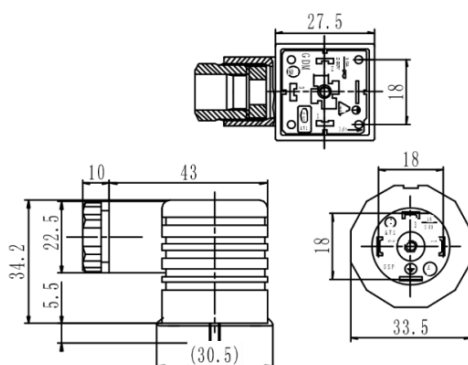
Construction material:

- Housing: SS304
- Pressure port: SS304
- Diaphragm: SS316L
- Sealing gasket: Viton
- Plug housing: Plastic
- Cable: Polyethylene Special Cable

Outline dimension:



## Electrical Connection



Pin	2-wire	3-wire
1	+V	+V
2	+OUT	GND
3	Null	+OUT

Wire color	2-wire	3-wire
Red	+V	+V
Black	+OUT	+OUT
White	Null	GND

**Free Call 0800 323 327**

ECEFAST NZ LIMITED NZBN: 9429037885434

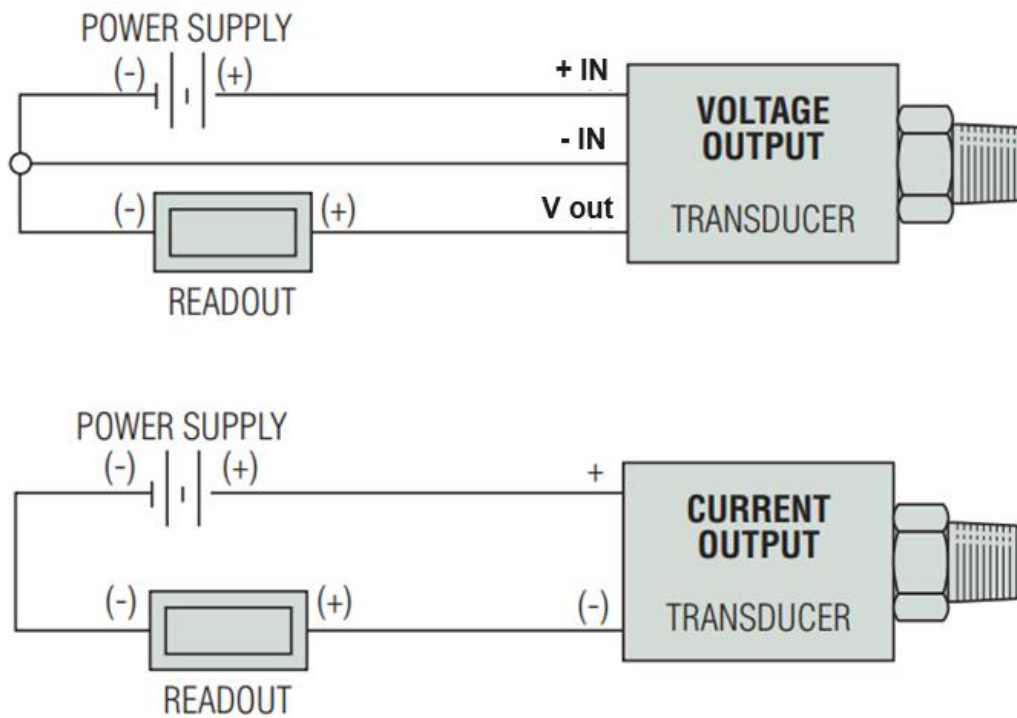
[info@ecefast.co.nz](mailto:info@ecefast.co.nz)

[www.ecefast.co.nz](http://www.ecefast.co.nz)

## Connection schematic

Current version load resistance Max.=  $(U-8)/0.02\Omega$

U is the real supply voltage



## High demand ranges and stock items

- SE-SPT21C-1-E-22-B3-C2-G : 0 to 1 Bar Gauge, G ¼ External Port, M12 4 Pin
- SE-SPT21C-1-E-22-B4-C2-G : 0 to 1 Bar Gauge, G ¼ External Port, Mini DIN 9.4mm
- SE-SPT21C-2-E-22-B3-C2-G : 0 to 2.5 Bar Gauge, G ¼ External Port, M12 4 Pin
- SE-SPT21C-2-E-22-B4-C2-G : 0 to 2.5 Bar Gauge, G ¼ External Port, Mini DIN 9.4mm
- SE-SPT21C-4-E-22-B3-C2-G : 0 to 4 Bar Gauge, G ¼ External Port, M12 4 Pin
- SE-SPT21C-4-E-22-B4-C2-G : 0 to 4 Bar Gauge, G ¼ External Port, Mini DIN 9.4mm
- SE-SPT21C-E-22-B3-C2-G : Compound Range: -1 to +1 Bar Gauge,  
G ¼ External Port, M12 4 Pin

**Free Call 0800 323 327**

ECEFAST NZ LIMITED NZBN: 9429037885434

[info@ecefast.co.nz](mailto:info@ecefast.co.nz)

[www.ecefast.co.nz](http://www.ecefast.co.nz)

<b>SPT21</b>	<b>Pressure Transmitter</b>		
<b>C</b>	Pressure Range: -1 to 5 bar		
<b>X</b>	Actual measuring range: 0 ~ 1 bar, 0 ~ 2.5 bar, 0 ~ 4 bar, -1 ~ +1 bar		
	Output		
<b>E</b>	4 ~ 20 mA		
<b>J</b>	0 ~ 5VDC		
<b>V</b>	0 ~ 10VDC		
<b>VI</b>	1 ~ 5VDC		
<b>V2</b>	0.4 ~ 4.5VDC		
	Construction material		
	Diaphragm	Pressure port	Housing
22	SS 316L	SS304	SS304
24	SS 316L	SS 316L	SS 316L
	Code	Description	
	<b>B1</b>	DIN43650 connector	
	<b>B2</b>	Cable	
	<b>B3</b>	M12 connector	
	<b>B4</b>	DIN9.4mm connector	
	<b>C2</b>	G ¼ male thread	
	<b>C3</b>	G ½ male thread	
	<b>G</b>	Gauge	
	<b>S</b>	Sealed gauge	
	<b>A</b>	Absolute	

**Full ordering code:** (example)

**SE-SPT21C-1-E-22-B3-C2-G:** Sier Pressure Transmitter, 4-20mA Loop Powered, 0 to 1 Bar Gauge, G1/4 External Port, M12 4 Pin Elec. Connection.

M12 Cable sold separately Part No: **SE-SPT-M12-1.5M** (1.5m cable)

**Free Call 0800 323 327**

ECEFAST NZ LIMITED NZBN: 9429037885434

[info@ecefast.co.nz](mailto:info@ecefast.co.nz)

[www.ecefast.co.nz](http://www.ecefast.co.nz)